

PART NUMBER

KCC198139

REV.

DATE

COMMENTS

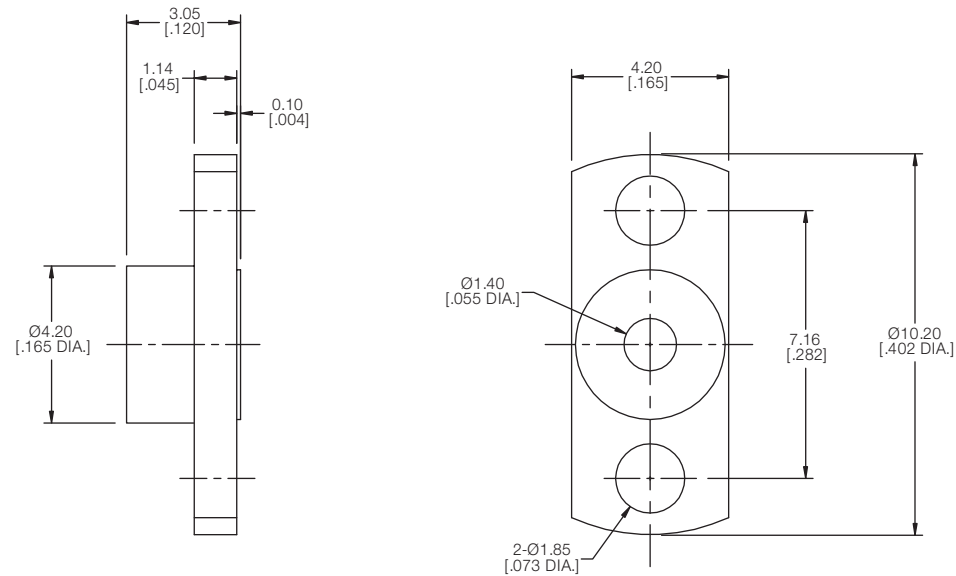
INITIAL

Electrical Data

Impedance 50 Ω

Temperature Range -55 °C - 125 °C

RoHS Compliant



Drawing not to scale. Dimensions for reference only

Units: mm (inches)

Konnect RF

WWW.KONNECTRF.COM
1-800-790-5887

PART NUMBER

KCC198139

DESCRIPTION

SMP Straight Male Plug Receptacle, Shroud, Full Detent, 2 Hole Flange Mount

CAGE CODE

664U0

SIGNATURE

X

Component
Body

Material
Stainless Steel 303

Plating
Passivated

THIS DRAWING INCLUDING THE DESIGNS IS THE PROPERTY OF KONNECT RF AND IS NOT TO BE USED FOR ANY PURPOSE WITHOUT OUR APPROVAL.