

PART NUMBER

KCC198127

REV.

DATE

COMMENTS

INITIAL

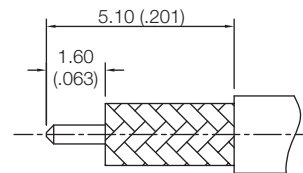
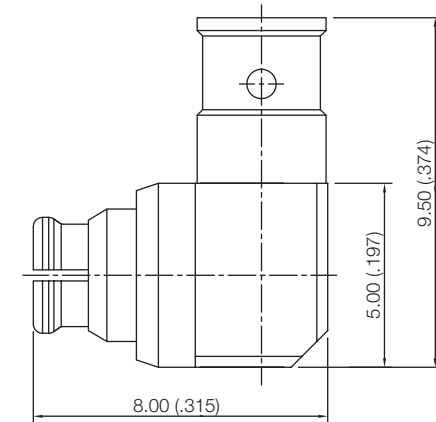
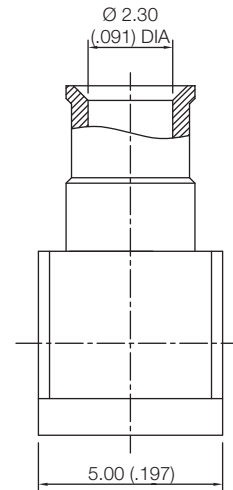
Electrical Data

Impedance 50 Ω
 Frequency Range DC - 40 GHz.
 VSWR 1.50 Max

Mechanical Data

Temperature Range: -55 °C - 165 °C

RoHS Compliant



Cable Stripping Dimensions

VSWR and Frequency Range Specifications are for reference and are dependant on cable type and other application specific conditions

Drawing not to scale. Dimensions for reference only

Units: inches (mm)

WWW.KONNECTRF.COM
1-800-790-5887

PART NUMBER

KCC198127

DESCRIPTION

SMP Right Angle, Female Jack, Solder

CAGE CODE

664U0

SIGNATURE

X

Cable Types: .085 SEMIRIGID, RG405

Component	Material	Plating
Body	BeCu	Gold
Center Contact	BeCu	Gold
Insulator	PTFE	
Anti-Rock Ring	Brass	Gold

THIS DRAWING INCLUDING THE DESIGNS IS THE PROPERTY OF KONNECT RF AND IS NOT TO BE USED FOR ANY PURPOSE WITHOUT OUR APPROVAL.