

PART NUMBER

KCC198064

REV.

DATE

COMMENTS

INITIAL

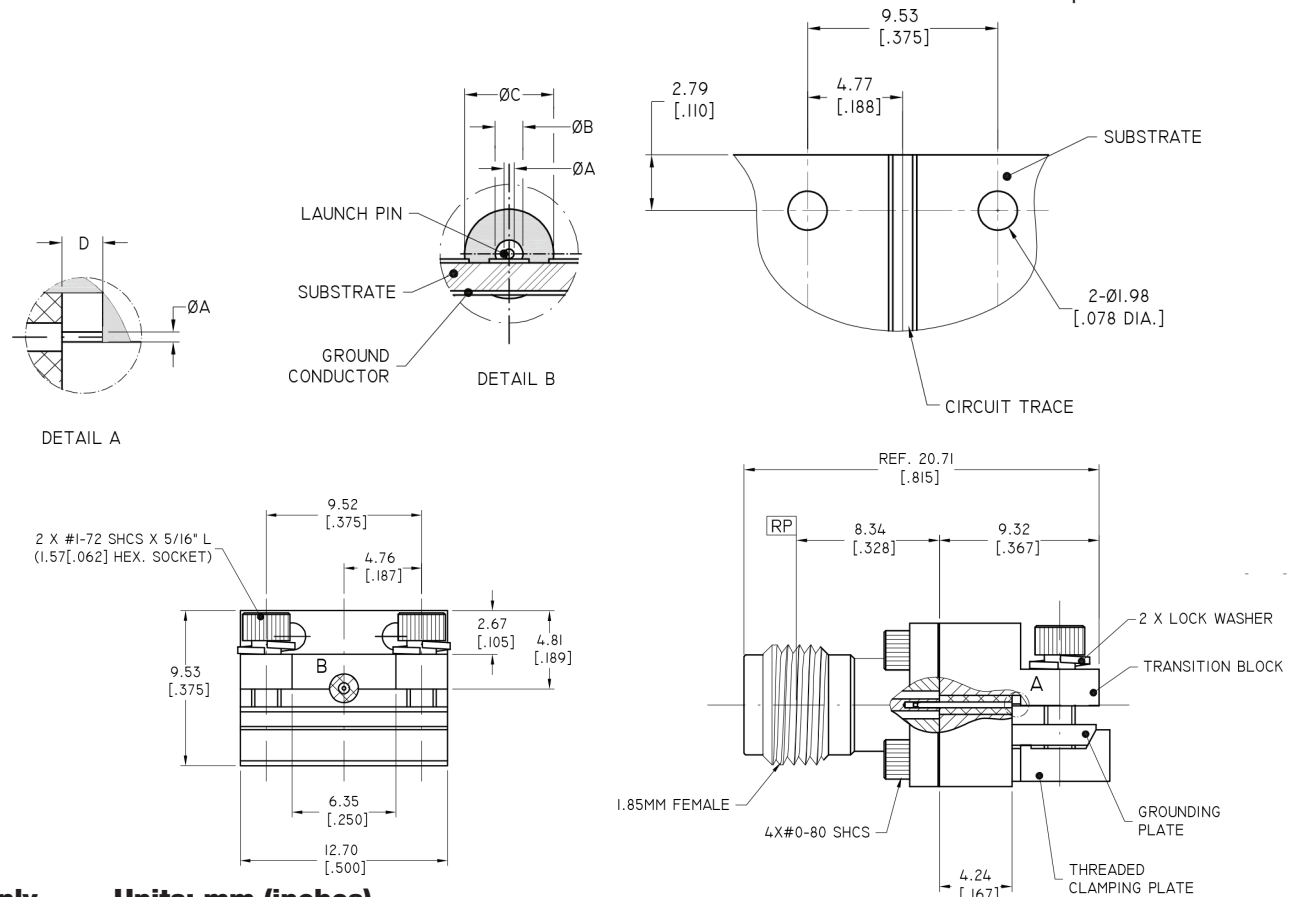
Electrical Data

Impedance 50 Ω
 Frequency Range DC - 65 GHz

Mechanical Data

Temperature Range -55 °C - 125 °C

RoHS Compliant

**TRANSITION BLOCK**

1. TRANSITION BLOCK: BRASS, NICKEL PLATED
2. GROUNDING PLATE: BRASS, NICKEL PLATED
3. THREADED CLAMPING PLATE: BRASS, NICKEL PLATED
4. LAUNCH PIN: BERYLLIUM COPPER ALLOY, GOLD PLATED
5. TRANSITION BLOCK DIELECTRIC: PTFE

Drawing not to scale. Dimensions for reference only**Units: mm (inches)****Konnnect RF**

WWW.KONNECTRF.COM
1-800-790-5887

PART NUMBER

KCC198064

DESCRIPTION

1.85 mm Straight Female Jack, End Launch, PC Board Receptacle, Low Profile, PSS

CAGE CODE

664U0

SIGNATURE

X

Component
 Body
 Center Contact
 Insulator

Material
 Stainless Steel
 Beryllium Copper Alloy
 PEI

Plating
 Passivated
 Gold

THIS DRAWING INCLUDING THE
 DESIGNS IS THE PROPERTY OF
 KONNECT RF AND IS NOT TO
 BE USED FOR ANY PURPOSE
 WITHOUT OUR APPROVAL.