

PART NUMBER

KCC198032

REV.

DATE

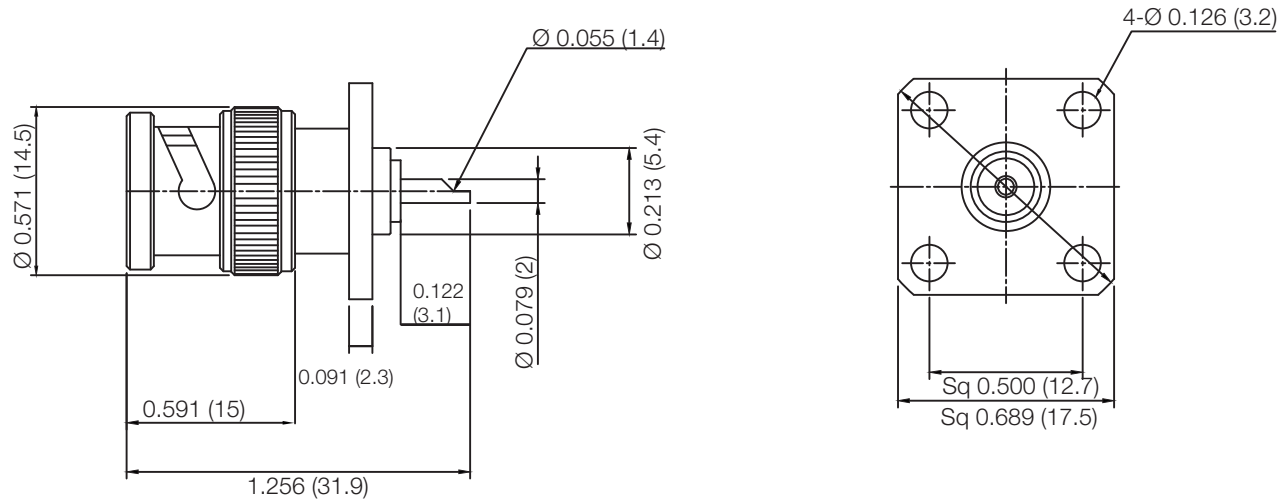
COMMENTS

INITIAL

Electrical Data

Impedance 75 Ohm

RoHS Compliant



Drawing not to scale. Dimensions for reference only

Units: inches (mm)

Konnnect RF

WWW.KONNECTRF.COM
1-800-790-5887

PART NUMBER

KCC198032

DESCRIPTION

**75 Ohm BNC Straight Male Plug Receptacle, 4 Hole
Flange Mount, Extended Teflon, Solder Pot**

CAGE CODE

664U0

SIGNATURE

X

Component
Body
Center Contact
Insulator

Material
Brass
Brass
PTFE

Plating
Nickel
Gold

THIS DRAWING INCLUDING THE
DESIGNS IS THE PROPERTY OF
KONNECT RF AND IS NOT TO
BE USED FOR ANY PURPOSE
WITHOUT OUR APPROVAL.