

PART NUMBER

KCC198027

REV.

DATE

COMMENTS

INITIAL

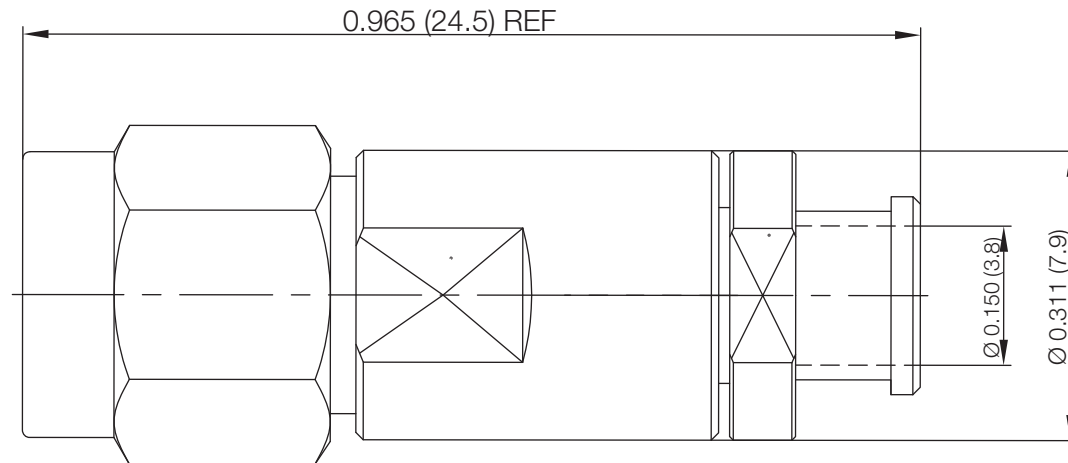
Electrical Data

Impedance	50 Ω
Frequency Range	DC - 40 GHz
Insertion Loss	0.05 XSQRT[F(GHz)] dB MAX
Voltage Rating	500 VRMS
Insulation Resistance	5000 M Ω MIN
Dielectric Withstanding Voltage	2000 VRMS MIN
VSWR	1.35 MAX

Mechanical Data

Durability	100 Cycles Min
Temperature Range	-40 °C - 125 °C

RoHS Compliant



VSWR and Frequency Range Specifications are for reference and are dependant on cable type and other application specific conditions

Drawing not to scale. Dimensions for reference only

Units: inches (mm)

WWW.KONNECTRF.COM
1-800-790-5887

PART NUMBER

KCC198027

DESCRIPTION

2.92mm Straight Male Plug, PSS, Clamp, IP67

CAGE CODE

664U0

SIGNATURE

X

Cable Type: Flexible Low Loss Coaxial Cable (KRC177310)**Component**

Body
Inner Contact
Insulator

Material

Stainless Steel
Beryllium
PEI

Plating

Passivated
Gold

THIS DRAWING INCLUDING THE DESIGNS IS THE PROPERTY OF KONNECT RF AND IS NOT TO BE USED FOR ANY PURPOSE WITHOUT OUR APPROVAL.