

PART NUMBER

KCC198002

REV.

DATE

COMMENTS

INITIAL

A

06/27/2022

Updated Specs

RoHS Compliant

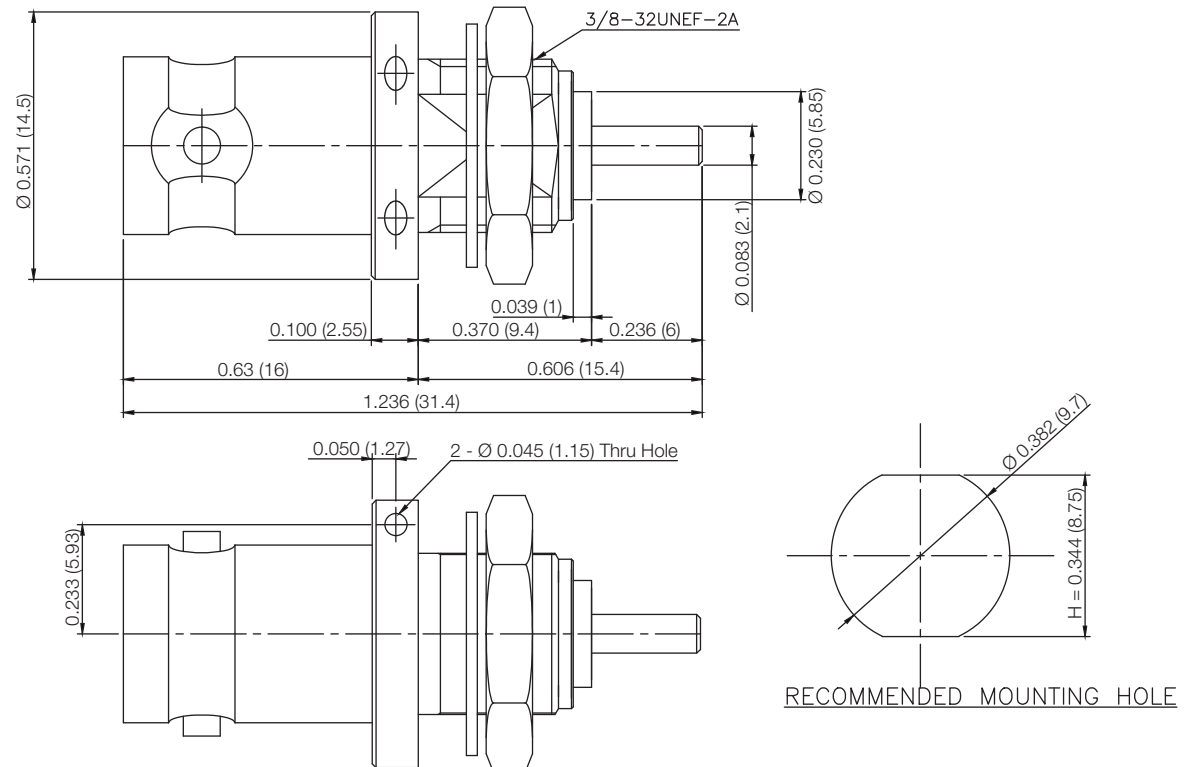
Electrical Data

Impedance	50 Ω
Frequency Range	DC - 4 GHz.
Insertion Loss	.025 \sqrt{f} (GHz) Max
Voltage Rating	500 VRMS
Insulation Resistance	5000 M Ω
Dielectric Withstanding Voltage	1500 VRMS
VSWR	1:20:1 @ 4 GHz Max

Mechanical Data

Temperature Range: -65 °C - 165 °C

IP65 Rated



Drawing not to scale. Dimensions for reference only

Units: inches (mm)

Konnect RF

WWW.KONNECTRF.COM
1-800-790-5887

PART NUMBER

KCC198002

DESCRIPTION

**BNC Straight Female Jack Receptacle,
Bulkhead Front Mount**

CAGE CODE

664U0

SIGNATURE

X

THIS DRAWING INCLUDING THE
DESIGNS IS THE PROPERTY OF
KONNECT RF AND IS NOT TO
BE USED FOR ANY PURPOSE
WITHOUT OUR APPROVAL.

Component

Body
Center Contact

Material

Brass
BeCu

Plating

Nickel 5-10 um plate
Gold 0.04- 0.06 um plate
over Nickel 2-4 um plate

Insulator
Nut, Washer

PTFE
Brass

Nickel