

PART NUMBER

KCC197994

REV.

DATE

COMMENTS

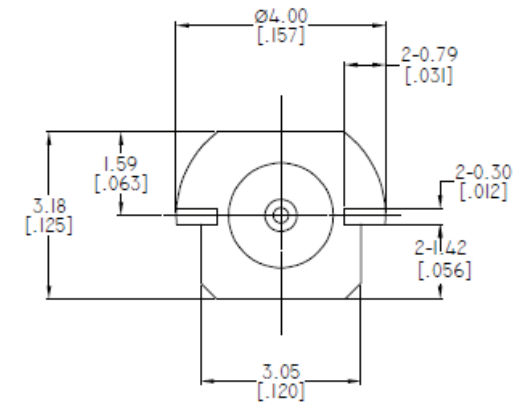
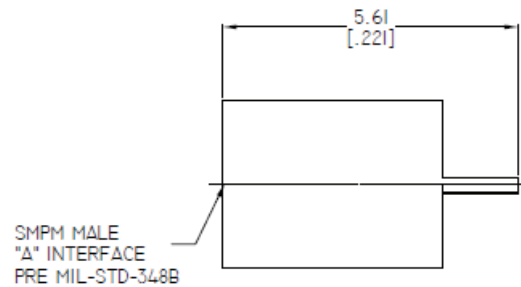
INITIAL

Electrical Data

Impedance 50Ω
 Frequency Range DC - 65 GHz.

RoHS Compliant**Mechanical Data**

Temperature Range: -65 °C - 165 °C
 2011/65/EU (RoHS) Compliant



Drawing not to scale. Dimensions for reference only

Units: mm (Inches)

Konnect RF

WWW.KONNECTRF.COM
 1-800-790-5887

PART NUMBER

KCC197994

DESCRIPTION

**SSMP Straight Male Plug, Surface Mount,
PC Board, Full Detent**

CAGE CODE

664U0

SIGNATURE

X

THIS DRAWING INCLUDING THE
 DESIGNS IS THE PROPERTY OF
 KONNECT RF AND IS NOT TO
 BE USED FOR ANY PURPOSE
 WITHOUT OUR APPROVAL.

Component

Body
 Center Contact
 Base

Material

Stainless Steel
 BeCu
 BeCu

Plating/Finish

Passivated
 Gold
 Gold