

PART NUMBER

KCC197983

REV.

DATE

COMMENTS

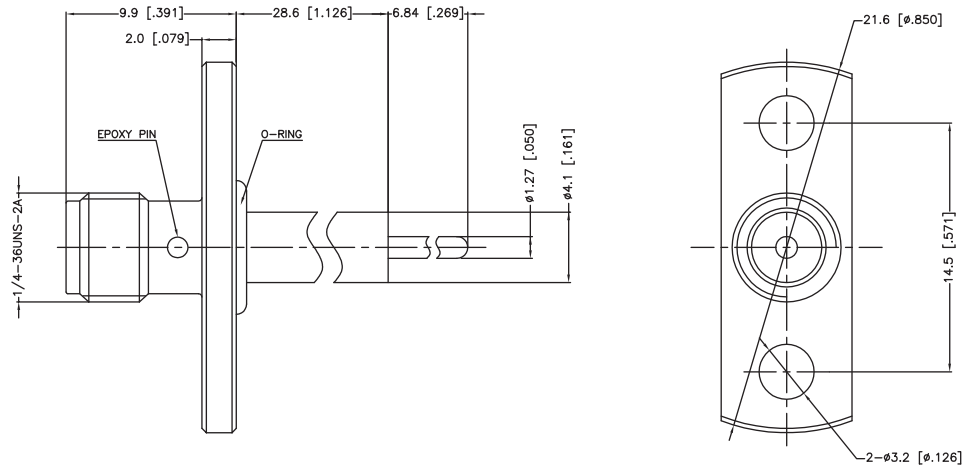
INITIAL

Electrical Data

Impedance	50 Ω
Frequency Range	DC - 5 GHz.
Insertion Loss	$\leq 0.15\text{dB @ 5GHz}$
Insulation Resistance	5,000M Ω Min
Dielectric Withstanding Voltage	1,000V Max At sea Level
VSWR	≤ 1.15

Mechanical Data

Temperature Range:	-55 °C - 125 °C
Durability	500 Cycles

RoHS Compliant

Drawing not to scale. Dimensions for reference only

Units: mm (Inches)

Konnect RF

WWW.KONNECTRF.COM
1-800-790-5887

PART NUMBER

KCC197983

DESCRIPTION

SMA Straight Female Jack Receptacle, 2 Hole Flange Mount

CAGE CODE

664U0

SIGNATURE

X

THIS DRAWING INCLUDING THE
DESIGNS IS THE PROPERTY OF
KONNECT RF AND IS NOT TO
BE USED FOR ANY PURPOSE
WITHOUT OUR APPROVAL.

Component

Body
Center Contact
Insulator

Material

Brass
BeCu
PTFE

Plating

Gold
Gold