

PART NUMBER

KCC197973

REV.

DATE

COMMENTS

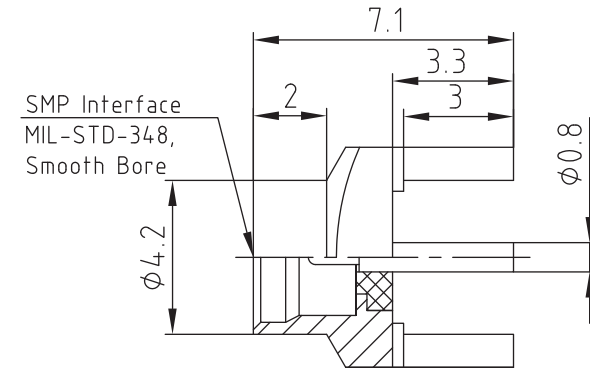
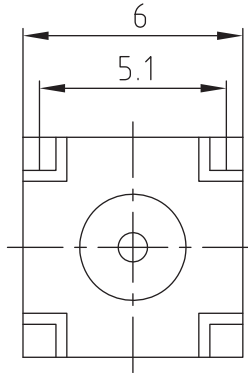
INITIAL

Electrical Data

Impedance	50 Ω
Frequency Range	DC - 40GHz
Insertion Loss	0.05XSQRT[F(GHz)] dB Max
Voltage Rating	500 VRMS
Insulation Resistance	2,000 M Ω Min
Dielectric Withstanding Voltage	2,000 VRMS Min
VSWR	1.35Max

Mechanical Data

Durability	100 Cycles Min.
Temperature Range:	-40 °C - 85 °C
Compatible with All Standard :	IEC61169-44

**RoHS Compliant**

Drawing not to scale. Dimensions for reference only

Units: mm

Konnect RF

WWW.KONNECTRF.COM
1-800-790-5887

PART NUMBER

KCC197973

DESCRIPTION

SMP Straight Male Plug, PC Board Receptacle, Smooth Bore, Solder, Thru Hole

CAGE CODE

664U0

SIGNATURE

X

THIS DRAWING INCLUDING THE DESIGNS IS THE PROPERTY OF KONNECT RF AND IS NOT TO BE USED FOR ANY PURPOSE WITHOUT OUR APPROVAL.

Component

Body
Outer Contact
Inner Contact
Insulator

Material

Brass
Brass
BeCu
PTFE

Plating

Gold
Gold
Gold
Natural