

PART NUMBER

KCC197972

REV.

DATE

COMMENTS

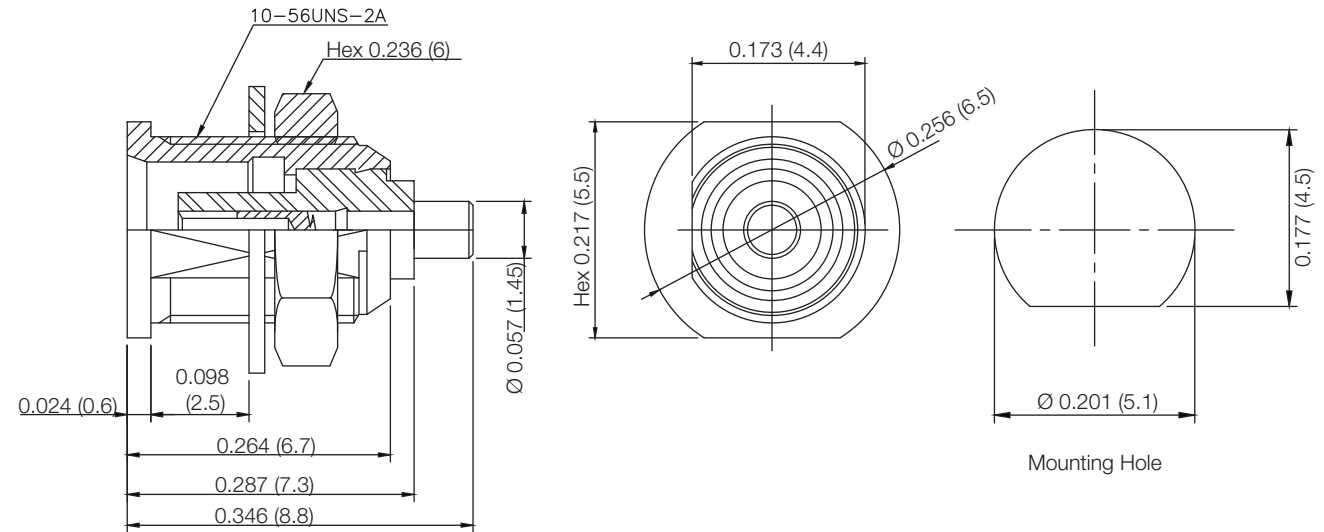
INITIAL

Electrical Data

Impedance	50 Ω
Frequency Range	DC - 6GHz.
Contact Current	DC 1.5A
Voltage Rating	250 VRMS
Insulation Resistance	1,000 M Ω min

Mechanical Data

Temperature Range: -45 °C - 125 °C

RoHS Compliant

Drawing not to scale. Dimensions for reference only

Units: inches (mm)

Konnect RF

WWW.KONNECTRF.COM
1-800-790-5887

PART NUMBER

KCC197972

DESCRIPTION

MCX Straight Female Jack Receptacle, Bulkhead Mount, Blunt Post

CAGE CODE

664U0

SIGNATURE

X

THIS DRAWING INCLUDING THE
DESIGNS IS THE PROPERTY OF
KONNECT RF AND IS NOT TO
BE USED FOR ANY PURPOSE
WITHOUT OUR APPROVAL.

Component
Body & Nut
Center Contact
Insulator

Material
Brass
BeCu
PTFE

Plating
Gold
Gold