

PART NUMBER

KCC197958

REV.

DATE

COMMENTS

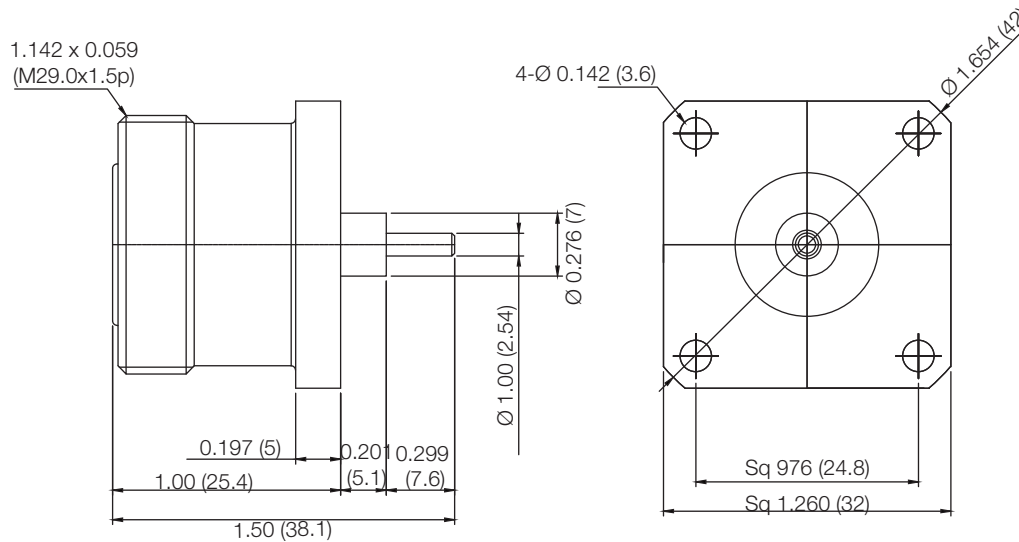
INITIAL

Electrical Data

Impedance 50 Ω
 Frequency Range DC - 7.5 GHz.
 VSWR 1.30 @ 7.5 GHz Max

Mechanical Data

Durability 500 Cycles Min.
 Temperature Range: -55 °C - 155 °C

RoHS Compliant

Drawing not to scale. Dimensions for reference only

Units: inches (mm)

Konnect RF

WWW.KONNECTRF.COM
 1-800-790-5887

PART NUMBER

KCC197958

DESCRIPTION

**7/16 DIN Straight Female Jack Receptacle,
4 Hole Flange Mount , Blunt Post, Extended Teflon**

CAGE CODE

664U0

SIGNATURE

X

THIS DRAWING INCLUDING THE
 DESIGNS IS THE PROPERTY OF
 KONNECT RF AND IS NOT TO
 BE USED FOR ANY PURPOSE
 WITHOUT OUR APPROVAL.

Component

Body
 Center Contact
 O-Ring
 Insulator

Material

Brass
 Phosphor Bronze
 Silicone Rubber
 PTFE

Plating

Silver
 Gold