

PART NUMBER

KCC197955

REV.

DATE

COMMENTS

INITIAL

A

08/05/2020

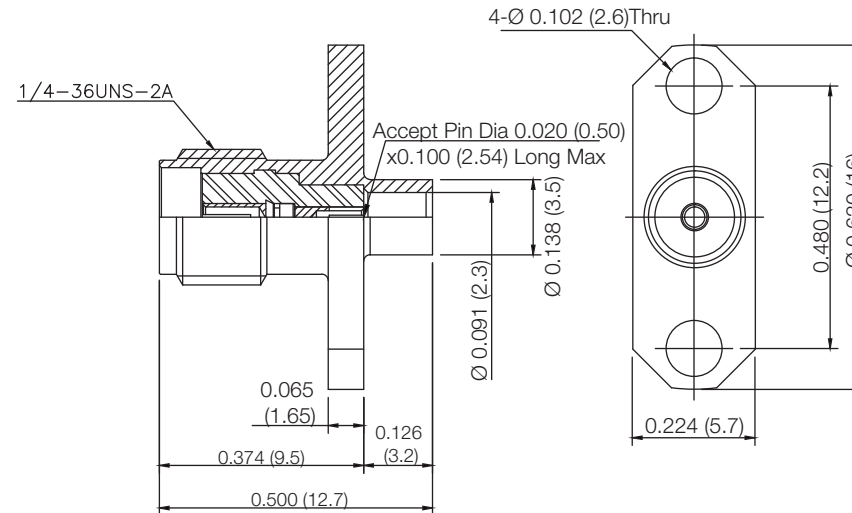
Updated Dimensions

*MP***Electrical Data**

Impedance	50 Ω
Frequency Range	DC - 18 GHz
Contact Current	DC 2.0A max
Working Voltage	750V
Insertion Loss	0.05/ f(GHz)dB
Contact Resistance	
Center	3.0 mΩ
Outer	2.5 mΩ
Insulation Resistance	5,000 MΩ min
VSWR	≤ 1.25 @ 18GHz
RF Leakage	-(90 - f) dBm (* f : Frequency)

Mechanical Data

Life	500 matings
Contact Captivation	≥27N
Interface	PER MIL-C-39012
Center Contact	to be Captivated

RoHS Compliant

Drawing not to scale. Dimensions for reference only

Units: inches (mm)

Konnect RF

WWW.KONNECTRF.COM
1-800-790-5887

PART NUMBER

KCC197955

DESCRIPTION

MBX Straight Female Jack, Solder

CAGE CODE

664U0

SIGNATURE

X

THIS DRAWING INCLUDING THE
DESIGNS IS THE PROPERTY OF
KONNECT RF AND IS NOT TO
BE USED FOR ANY PURPOSE
WITHOUT OUR APPROVAL.

Component
Body

Material

Stainless Steel PER QQ-S-764, Class 303

Plating

Gold PER MIL-G-45204
Type 1, Grade C over Copper
PER-MIL-C-14550
Gold PER MIL-G-45204
Type 1, Grade C over Copper
PER-MIL-C-14550

Center Contact

BeCu QQ-C-530

Insulator

PTFE PER MIL-P-19468A NOT 1 (ASTM-D1710)