

PART NUMBER

KCC197907

REV.

DATE

COMMENTS

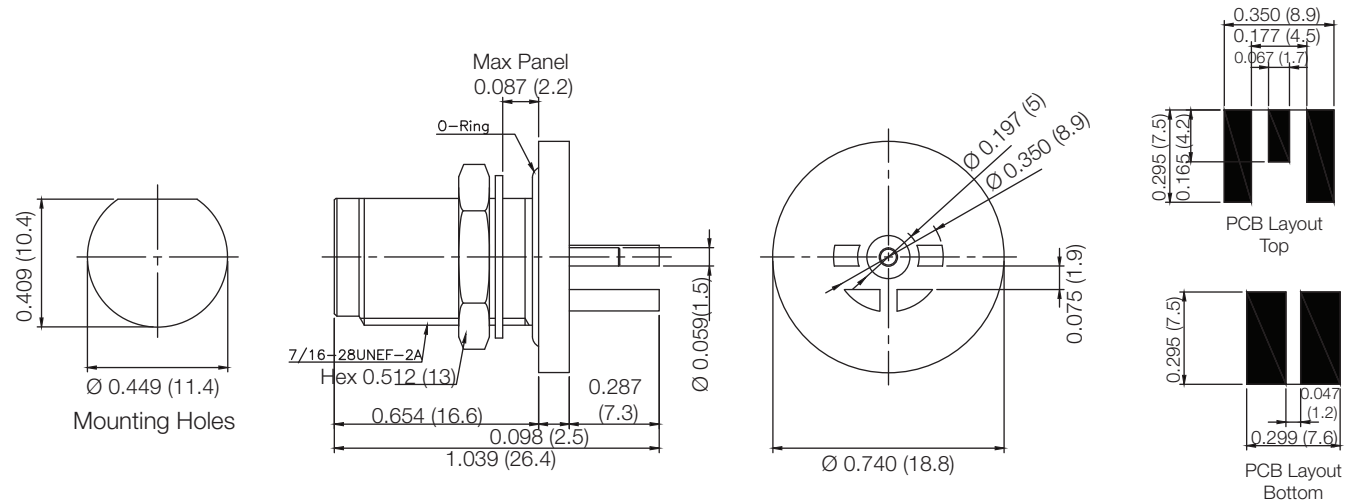
INITIAL

Electrical Data

Impedance	50 Ω
Frequency Range	DC - 7.5 GHz.
Contact Current	DC 3.5A max
Insertion Loss	0.25dB max
Voltage Rating	500VRMS
Contact Resistance	
Center	1.5 mΩ
Outer	1.0 mΩ
Insulation Resistance	5,000 MΩ min
VSWR	≤ = 1.35

Mechanical Data

Temperature Range:	-40 °C - 145 °C
Interface per MIL-STD-348	

RoHS Compliant

Drawing not to scale. Dimensions for reference only

Units: inches (mm)

Konnect RF

WWW.KONNECTRF.COM
1-800-790-5887

PART NUMBER

KCC197907

DESCRIPTION

TNC Straight Female Jack PC Board Receptacle, Edge Mount, Bulkhead Rear Mount, IP67

CAGE CODE

664U0

SIGNATURE

X

THIS DRAWING INCLUDING THE DESIGNS IS THE PROPERTY OF KONNECT RF AND IS NOT TO BE USED FOR ANY PURPOSE WITHOUT OUR APPROVAL.

Component
Body ,
Nut & Washer
Center Contact
Insulator

Material
Brass
Brass
BeCu
PTFE

Plating
Gold
Nickel
Gold