

PART NUMBER

KCC197895

REV.

DATE

COMMENTS

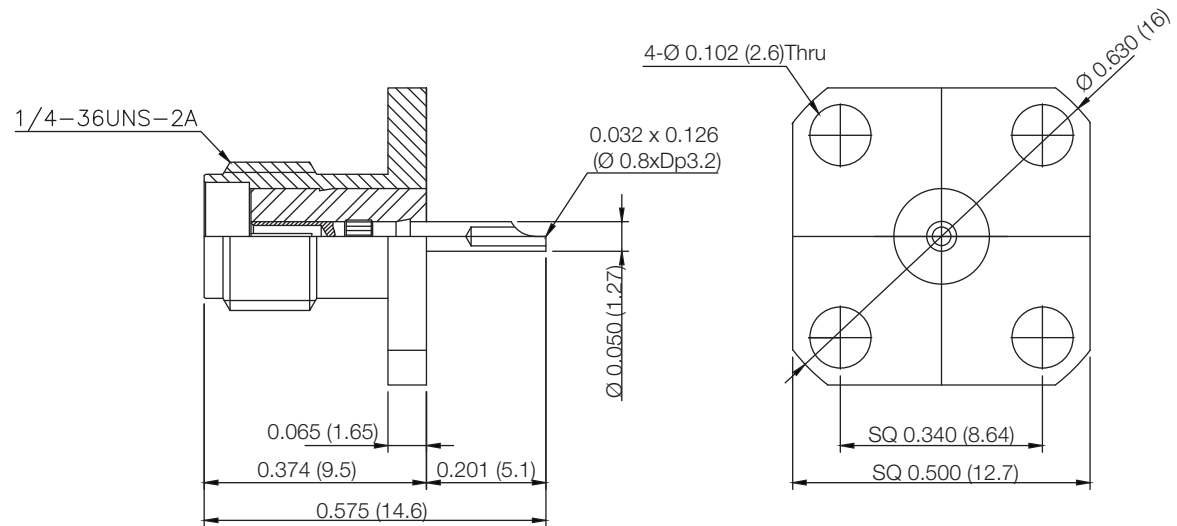
INITIAL

Electrical Data

Impedance 50 Ω
 Frequency Range DC-18Ghz
 VSWR 1.30 max

Mechanical Data

Interface PER MIL-STD-348

RoHS Compliant

Drawing not to scale. Dimensions for reference only

Units: inches (mm)

Konnect RF

WWW.KONNECTRF.COM
 1-800-790-5887

PART NUMBER

KCC197895

DESCRIPTION

**SMA Straight Female Jack Receptacle,
4 Hole Flange Mount, Solder Pot**

CAGE CODE

664U0

SIGNATURE

X

Component
Body

Material

Stainless Steel Per
AMS-5640 Alloy UNS S30300, Type 1

Plating/Finish

Passivated PER AMS-2700

Center Contact

BeCu Per ASTM B196
Alloy NO. UNS C17300, TD04Gold PER ASTM B488, TYPE 2
Code C, Class 1.27 Over Nickel

Insulator

PTFE ASTM D1710 TYPE 1, Grade 1, Class B

Per AMS QQ-N-290, Class 1

THIS DRAWING INCLUDING THE
 DESIGNS IS THE PROPERTY OF
 KONNECT RF AND IS NOT TO
 BE USED FOR ANY PURPOSE
 WITHOUT OUR APPROVAL.