

PART NUMBER

**KCC197887**

REV.

DATE

COMMENTS

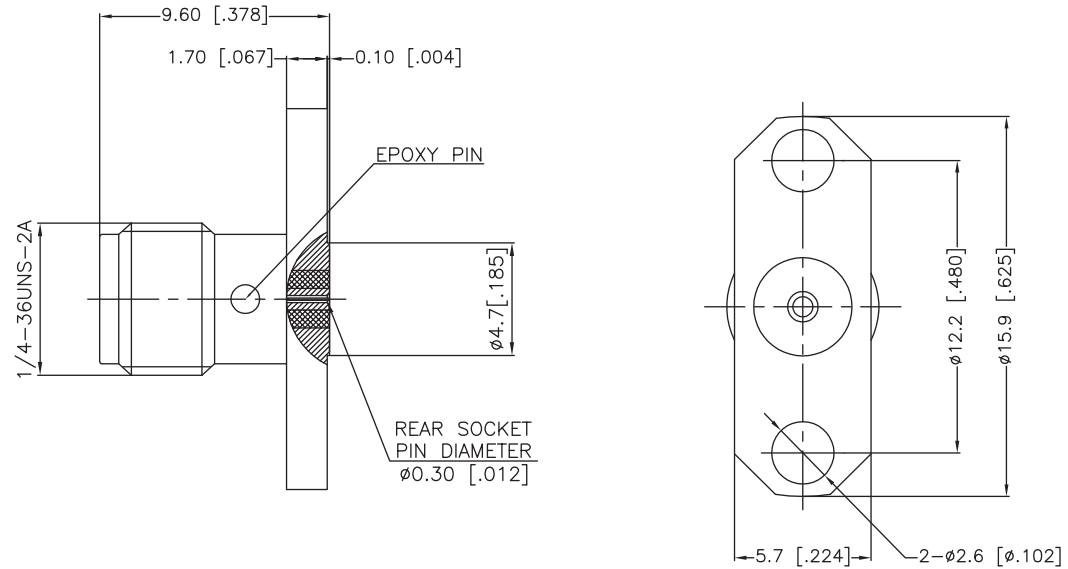
INITIAL

**Electrical Data**

Impedance 50  $\Omega$   
 Frequency Range DC - 18 GHz.  
 Insulation Resistance 5,000 M $\Omega$  min  
 Dielectric Withstanding Voltage 1,000V Max At Sea Level  
 VSWR  $\leq$  1.30

**Mechanical Data**

Temperature Range: -65  $^{\circ}$ C - 165  $^{\circ}$ C

**RoHS Compliant**

Drawing not to scale. Dimensions for reference only

Units: mm (Inches)

**Konnect RF**

WWW.KONNECTRF.COM  
 1-800-790-5887

PART NUMBER

**KCC197887**

DESCRIPTION

**SMA Straight Female Jack Receptacle, 2 Hole Flange Mount, Tab**

CAGE CODE

**664U0**

SIGNATURE

X

THIS DRAWING INCLUDING THE  
 DESIGNS IS THE PROPERTY OF  
 KONNECT RF AND IS NOT TO  
 BE USED FOR ANY PURPOSE  
 WITHOUT OUR APPROVAL.

**Component**

Body  
 Center Contact  
 Insulator

**Material**

Stainless Steel  
 BeCu  
 PTFE

**Plating/Finish**

Passivated  
 Gold