

PART NUMBER
KCC197875

REV.	DATE	COMMENTS	INITIAL
A	08/03/2020	Round Nut Dimension Change	<i>[Signature]</i>

Electrical Data

Impedance 50 Ω
 Frequency Range DC - 4 GHz
 Contact Current DC 3.5A max
 Voltage Rating 500V rms
 Insertion Loss ≤ 0.3dB max At 3GHz

Contact Resistance
 Center 2.0 mΩ
 Outer 0.2 mΩ
 Insulation Resistance 5,000 MΩ min
 VSWR ≤ 1.15
 (Return Loss better than 23.0dB)

Mechanical Data

Coupling Nut Torque 0.07Ncm-0.25Ncm
 Coupling Nut Retention Force 44.5 daN
 Life 500 matings
 Contact Captivation ≥27N
 Temperature Range -65 °C - 125 °C
 Waterproof Rating IP68
 MIL-STD-348-B/301-2

Environmental Data

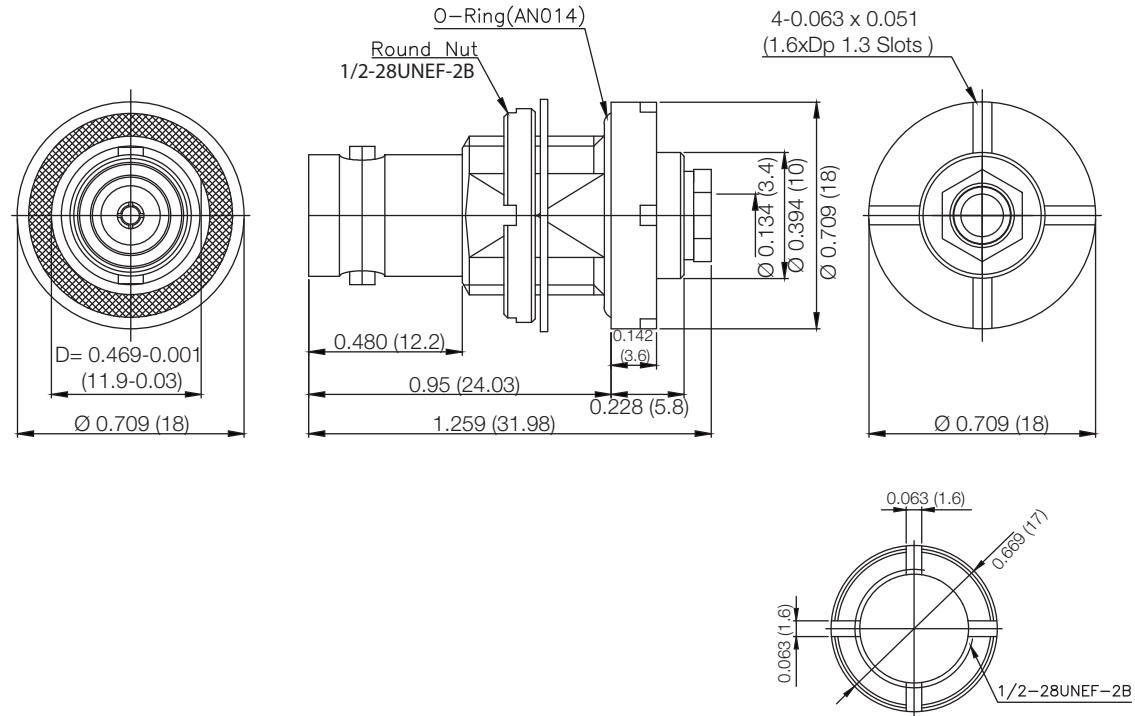
Corrosion Resistance MIL-STD-202, Method 101, Condition B.
 Moisture Resistance MIL-STD-202, Method 106
 Thermal Shock MIL-STD-202, Method 107, Condition B
 Vibration MIL-STD-202, Method 204, Condition B
 Shock MIL-STD-202, Method 213, Condition G

VSWR and Frequency Range Specifications are for reference and are dependant on cable type and other application specific conditions

Drawing not to scale. Dimensions for reference only

Units: inches (mm)

RoHS Compliant



Round Nut Detail



WWW.KONNECTRF.COM
1-800-790-5887

PART NUMBER		DESCRIPTION																				
KCC197875		BNC Straight Female Jack, Bulkhead Rear Mount, Round Nut, Clamp with Panel Seal, O-Ring (IP-68)																				
CAGE CODE	SIGNATURE																					
664U0	X <i>[Signature]</i>																					
THIS DRAWING INCLUDING THE DESIGNS IS THE PROPERTY OF KONNECT RF AND IS NOT TO BE USED FOR ANY PURPOSE WITHOUT OUR APPROVAL.		Cable Types: RG-178																				
		<table border="0"> <tr> <td>Component</td> <td>Material</td> <td>Plating</td> </tr> <tr> <td>Body, Clamp & Nut</td> <td>Brass</td> <td>Black Chrome</td> </tr> <tr> <td>Center Contact</td> <td>BeCu</td> <td>Gold</td> </tr> <tr> <td>Ferrule</td> <td>Brass</td> <td>Nickel</td> </tr> <tr> <td>Washer</td> <td>Brass</td> <td>Black Chrome</td> </tr> <tr> <td>O-Ring (ANO 14)</td> <td>Silicone Rubber</td> <td></td> </tr> <tr> <td>Insulator</td> <td>PTFE</td> <td></td> </tr> </table>	Component	Material	Plating	Body, Clamp & Nut	Brass	Black Chrome	Center Contact	BeCu	Gold	Ferrule	Brass	Nickel	Washer	Brass	Black Chrome	O-Ring (ANO 14)	Silicone Rubber		Insulator	PTFE
Component	Material	Plating																				
Body, Clamp & Nut	Brass	Black Chrome																				
Center Contact	BeCu	Gold																				
Ferrule	Brass	Nickel																				
Washer	Brass	Black Chrome																				
O-Ring (ANO 14)	Silicone Rubber																					
Insulator	PTFE																					