

PART NUMBER

KCC197874

REV.

DATE

COMMENTS

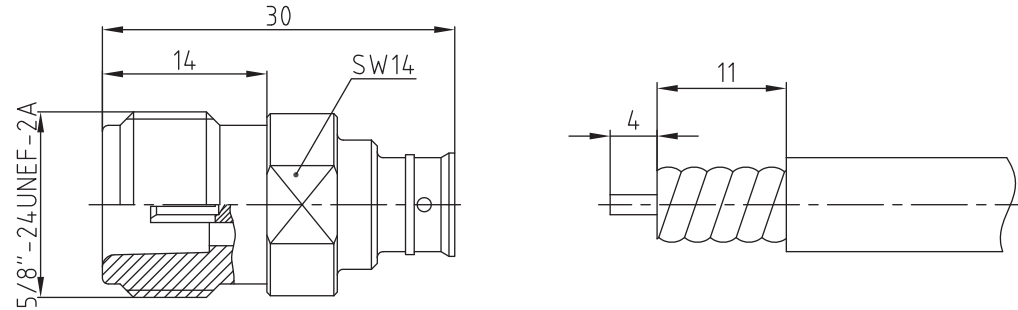
INITIAL

Electrical Data

| | |
|---------------------------------|---|
| Impedance | 50 Ω |
| Frequency Range | DC - 6 GHz. |
| Insertion Loss | 0.05 XSQRT[F(GHz)] dB max |
| Voltage Rating | 500 VRMS |
| Insulation Resistance | 5,000MΩ min |
| Dielectric Withstanding Voltage | 1,000 VRMS min |
| VSWR | 1.25 Max @ DC-3GHz 1.35 Max @ DC3-6GHz |
| Intermodulation 3rd order | -155dBc |

RoHS Compliant**Mechanical Data**

| | |
|--------------------------------|----------------|
| Durability | 100Cycles Min. |
| Temperature Range: | -40 °C - 85 °C |
| Compatible with all Standard : | IEC61169-16 |
| Contact pin to solder | |



VSWR and Frequency Range Specifications are for reference and are dependant on cable type and other application specific conditions

Drawing not to scale. Dimensions for reference only

Units: mm

WWW.KONNECTRF.COM
1-800-790-5887

PART NUMBER

KCC197874

DESCRIPTION

N Straight Female Jack, Solder

CAGE CODE

664U0

SIGNATURE

X

THIS DRAWING INCLUDING THE DESIGNS IS THE PROPERTY OF KONNECT RF AND IS NOT TO BE USED FOR ANY PURPOSE WITHOUT OUR APPROVAL.

Cable Types: .250 Helix Cable**Component**

Body
Outer Contact
Inner Contact
Insulator
O-Ring

Material

Brass
Brass
Bronze
PTFE , Natural
Silicone Rubber

Plating

White Bronze
White Bronze
Silver