

PART NUMBER

KCC197867

REV.

DATE

COMMENTS

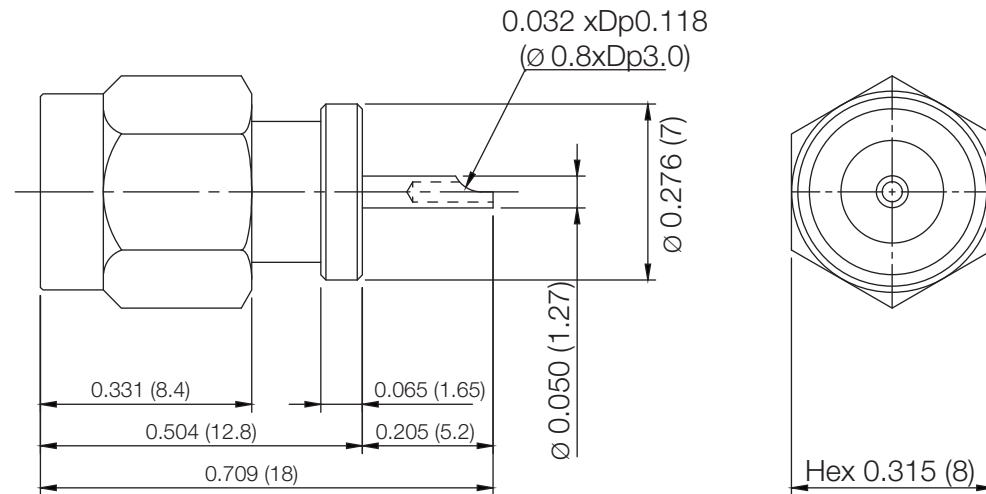
INITIAL

Electrical Data

Impedance	50 Ω
Frequency Range	DC - 18 GHz.
Insertion Loss	0.05 \sqrt{f} (GHz) dB
Voltage Rating	500 max
Insulation Resistance	5,000 M Ω
Dielectric Withstanding Voltage	750 VRMS
RF Leakage	-60dBm min. between 2-3GHz

Mechanical Data

Durability	500 Cycles Min.
Temperature Range:	-65 $^{\circ}$ C - 165 $^{\circ}$ C

RoHS Compliant

Drawing not to scale. Dimensions for reference only

Units: inches (mm)

Konnect RF

WWW.KONNECTRF.COM
1-800-790-5887

PART NUMBER

KCC197867

DESCRIPTION

SMA Straight Male Plug Receptacle

CAGE CODE

664U0

SIGNATURE

X

THIS DRAWING INCLUDING THE
DESIGNS IS THE PROPERTY OF
KONNECT RF AND IS NOT TO
BE USED FOR ANY PURPOSE
WITHOUT OUR APPROVAL.

Component

Body & Coupling Cap
Center Contact
Insulator

Material

Brass
Brass
PTFE

Plating

Gold
Gold