

PART NUMBER

KCC197811

REV.

DATE

COMMENTS

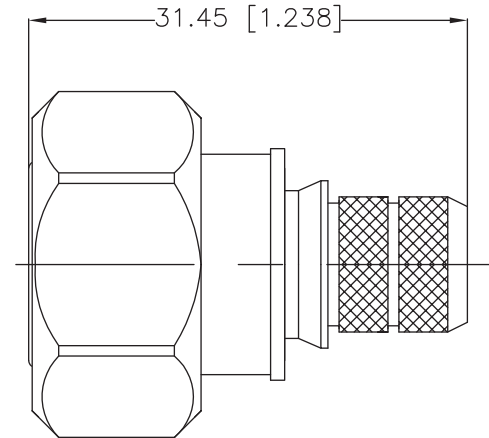
INITIAL

Electrical Data

Impedance 50Ω
 Frequency Range DC - 12.4 GHz.
 Insulation Resistance 5,000 MΩ Min
 Dielectric Withstanding Voltage 1,000V Max At Sea Level

Mechanical Data

Durability 500 Cycles Min.
 Temperature Range: -55 °C - 165 °C

RoHS Compliant

**VSWR and Frequency Range Specifications
 are for reference and are dependant on cable
 type and other application specific conditions**

Drawing not to scale. Dimensions for reference only

Units: mm (Inches)

Konnect RF

WWW.KONNECTRF.COM
 1-800-790-5887

PART NUMBER

KCC197811

DESCRIPTION

4.3-10 Straight Male Plug

CAGE CODE

664U0

SIGNATURE

X

Cable Types: LMR-400

Component
 Body & Nut
 Center Contact
 Insulator

Material
 Brass
 Brass
 PTFE

Plating
 White Bronze
 Silver

THIS DRAWING INCLUDING THE
 DESIGNS IS THE PROPERTY OF
 KONNECT RF AND IS NOT TO
 BE USED FOR ANY PURPOSE
 WITHOUT OUR APPROVAL.