

PART NUMBER

KCC197800

REV.

DATE

COMMENTS

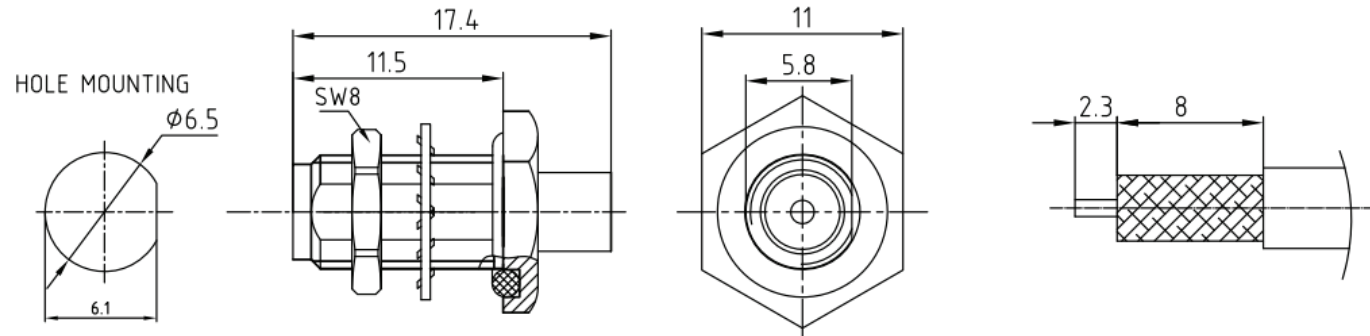
INITIAL

Electrical Data

Impedance 50 Ω
 Frequency Range DC - 18GHz.
 Insertion Loss 0.05XSQRT[F(GHZ)] dB Max
 Voltage Rating 500 VRMS
 Insulation Resistance 5,000 M Ω
 Dielectric Withstanding Voltage 750 VRMS Min
 VSWR 1.4 Max

RoHS Compliant**Mechanical Data**

Durability 100 Cycles Min.
 Temperature Range: -40 °C - 125 °C
 IEC61169-16



**VSWR and Frequency Range Specifications
 are for reference and are dependant on cable
 type and other application specific conditions**

Drawing not to scale. Dimensions for reference only

Units: mm

Konnect RF

WWW.KONNECTRF.COM
 1-800-790-5887

PART NUMBER

KCC197800

DESCRIPTION

SMA Straight Female Jack, Bulkhead

CAGE CODE

664U0

SIGNATURE

X

Cable Types: .141 Cable**Component**

Body
 Center Contact
 Insulator

Material

Brass
 BeCu
 PTFE

Plating

Gold
 Gold
 Natural

THIS DRAWING INCLUDING THE
 DESIGNS IS THE PROPERTY OF
 KONNECT RF AND IS NOT TO
 BE USED FOR ANY PURPOSE
 WITHOUT OUR APPROVAL.