

PART NUMBER

KCC197795

REV.

DATE

COMMENTS

INITIAL

Electrical Data

Impedance	50 Ω
Frequency Range	DC - 18 GHz
Insertion Loss	0.05 \sqrt{f} (GHz)dB
Contact Resistance	
Center	3.0m Ω
Outer	2.5m Ω
Insulation Resistance	5000 M Ω min.
VSWR	$\leq 1.15 + 0.02f$ (GHz)
RF Leakage	60dBm min. between 2~3GHz
Contact Current	DC 2.0A max
Working Voltage	1000V

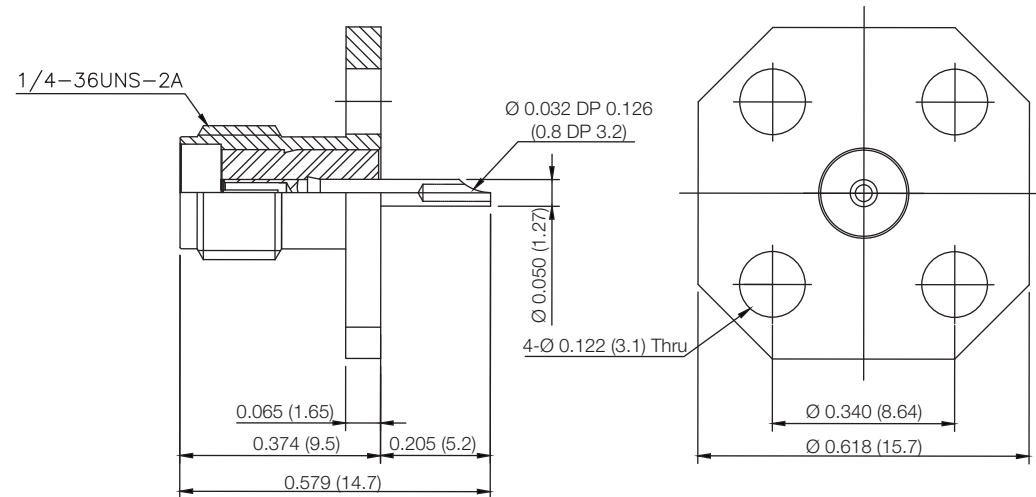
Mechanical Data

Coupling nut torque	120cm-160cm
Coupling nut retention force	$\geq 200N$
Life	500 matings
Contact captivation	$\geq 27N$

ENVIRONMENTAL DATA

Temperature range	-65 $^{\circ}c$ ~ +125 $^{\circ}c$
Corrosion resistance	MIL-STD-202, Method 101, Condition B.
Moisture resistance	MIL-STD-202, Method 106
Thermal shock	MIL-STD-202, Method 107, Condition B.
Vibration	MIL-STD-202, Method 204, Condition D.
Shock	MIL-STD-202, Method 213, Condition I

RoHS Compliant

**Drawing not to scale. Dimensions for reference only****Units: inches (mm)****Konnect RF**

WWW.KONNECTRF.COM
1-800-790-5887

PART NUMBER

KCC197795

DESCRIPTION

SMA Straight Female Jack Receptacle, 4 Hole Flange Mount, PSS, Solder Pot

CAGE CODE

664U0

SIGNATURE

X

Component
Body
Center Contact
Insulator

Material
Stainless Steel
BeCu
PTFE

Plating
Passivated
Gold

THIS DRAWING INCLUDING THE
DESIGNS IS THE PROPERTY OF
KONNECT RF AND IS NOT TO
BE USED FOR ANY PURPOSE
WITHOUT OUR APPROVAL.