

PART NUMBER

KCC197790

REV.

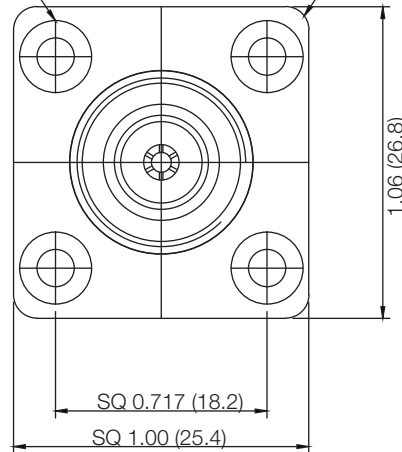
DATE

COMMENTS

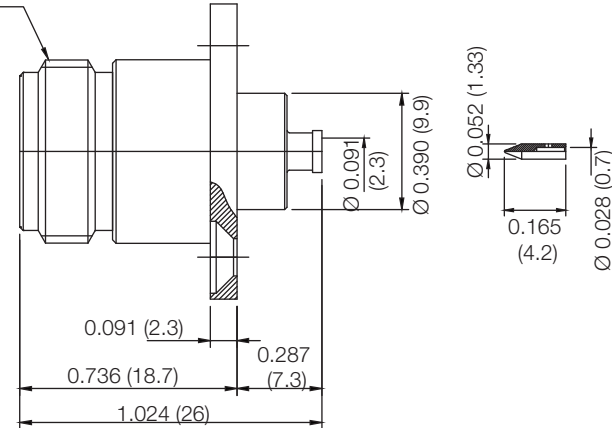
INITIAL

Electrical DataImpedance 50 Ω **RoHS Compliant**4- \varnothing 0.126 (3.2) Thru
C.S. 0.244 (6.2) 0.118 (M3.0 Bolt)

0.079 (R2.0)



5/8-24UNEF-2A



Drawing not to scale. Dimensions for reference only

Units: inches (mm)

Konnect RFWWW.KONNECTRF.COM
1-800-790-5887

PART NUMBER

KCC197790

DESCRIPTION

N Straight Female Jack, 4 Hole Flange Mount, Solder

CAGE CODE

664U0

SIGNATURE

X

THIS DRAWING INCLUDING THE
DESIGNS IS THE PROPERTY OF
KONNECT RF AND IS NOT TO
BE USED FOR ANY PURPOSE
WITHOUT OUR APPROVAL.**Cable Types:** UT085**Component**Body
Center Contact
Cable Insert Pin
Insulator**Material**Brass
BeCu
Brass
PTFE**Plating**Nickel
Gold
Gold