

PART NUMBER

KCC197784

REV.

DATE

COMMENTS

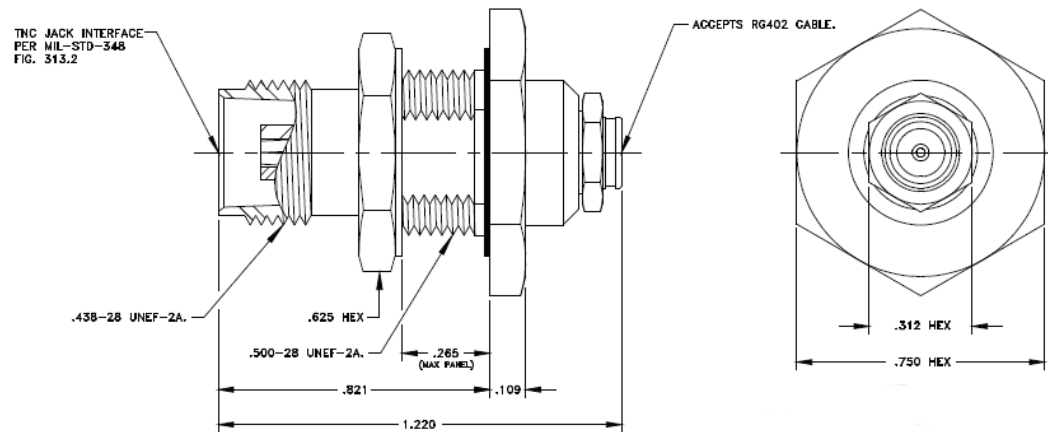
INITIAL

Electrical Data

Impedance 50 Ω
 Frequency Range DC - 18 GHz.
 Voltage Rating 500 VRMS

RoHS Compliant**Mechanical Data**

Temperature Range: -65 °C - 125 °C



VSWR and Frequency Range Specifications are for reference and are dependant on cable type and other application specific conditions

Drawing not to scale. Dimensions for reference only

Units: inches

WWW.KONNECTRF.COM
 1-800-790-5887

PART NUMBER

KCC197784

DESCRIPTION

TNC Straight Female Jack Bulkhead Mount, Solder/Clamp

CAGE CODE

664U0

SIGNATURE

X

Cable Types: .141 Semi Rigid Cable

Component

Body Hex Nut
 Center Contact
 Bushing
 Insulator
 Gasket
 Lockwasher

Material

303 stainless Steel PER QQ-S-764
 BeCu PER QQ-C-530
 Brass Comp 22 1/2 Hard PER QQ-B-626
 Teflon PER ASTM -D1710
 Silicone Rubber PER zz-R-765
 410 Stainless Steel

Plating

Passivated PER QQ-P-35
 Gold Over Nickel PER MIL-G-45204

THIS DRAWING INCLUDING THE DESIGNS IS THE PROPERTY OF KONNECT RF AND IS NOT TO BE USED FOR ANY PURPOSE WITHOUT OUR APPROVAL.