

PART NUMBER

KCC197770

REV.

DATE

COMMENTS

INITIAL

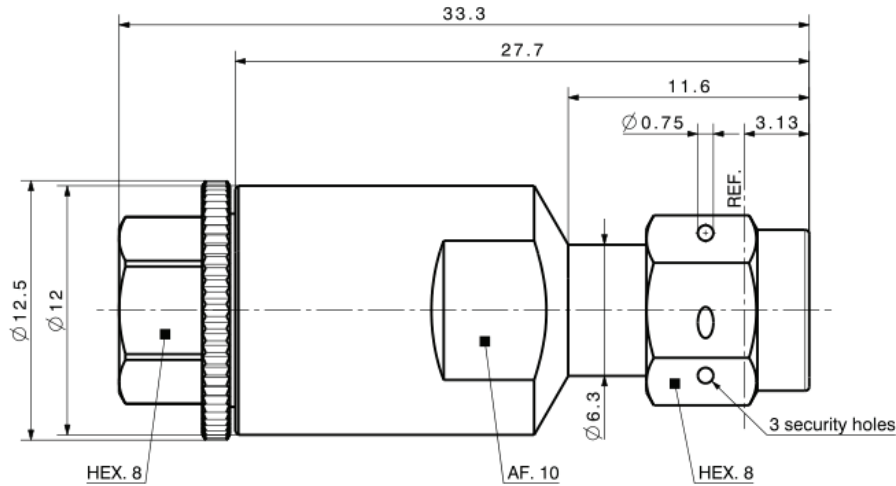
Electrical Data

Impedance	50 Ω
Frequency Range	DC - 18 GHz.
Insulation Resistance	5,000 M Ω min
Dielectric Withstanding Voltage	1,000V
VSWR	≤ 1.25

Mechanical Data

Durability	500 Cycles Min.
Temperature Range:	-55 °C - 165 °C

RoHS Compliant



Drawing not to scale. Dimensions for reference only

Units: mm

WWW.KONNECTRF.COM
1-800-790-5887

PART NUMBER

KCC197770

DESCRIPTION

SMA Straight Male Plug for EACON_4C

CAGE CODE

664U0

SIGNATURE

X

THIS DRAWING INCLUDING THE
DESIGNS IS THE PROPERTY OF
KONNECT RF AND IS NOT TO
BE USED FOR ANY PURPOSE
WITHOUT OUR APPROVAL.

Component
Body & Nut
Center Contact
Insulator
Gasket

Material
Stainless Steel
Brass
PTFE
Silicone Rubber

Plating/Finish
Passivated
Gold