

PART NUMBER

**KCC197769**

REV.

DATE

COMMENTS

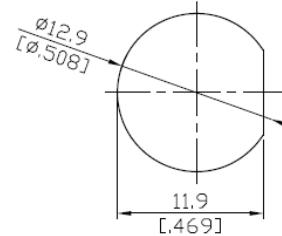
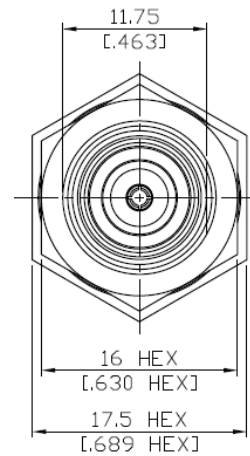
INITIAL

**Electrical Data**

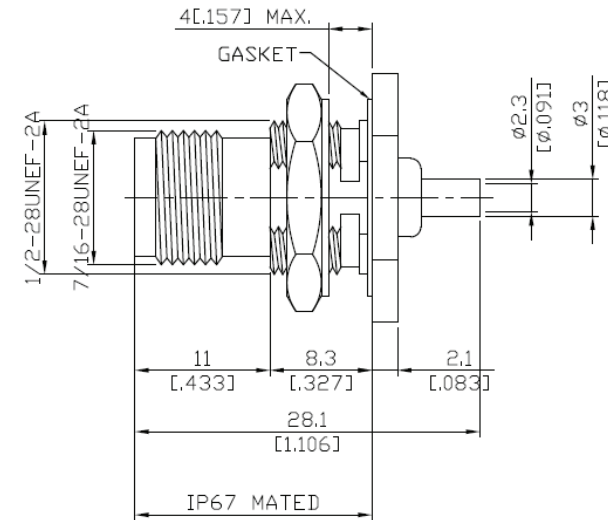
Impedance	50Ω
Frequency Range	DC - 6GHz.
Insertion Loss	≤ 0.1 x f(GHz) dB
Voltage Rating	500V rms
Contact Resistance	
Center	≤ 1.5mΩ
Outer	≤ 1mΩ
Insulation Resistance	≥ 5000MΩ
Dielectric Withstanding Voltage	1500 V rms
VSWR	≤1.2 (DC to 6GHz)

**Mechanical Data**

Durability	500 Cycles Min.
Temperature Range:	-65 °C - 165 °C
Recommended coupling nut torque	4.1 to 6.1 inch lbs
Coupling proof torque	15 inch lbs
Coupling nut retention force	≥101.2 lbs
Contact captivation-axial	≥6.1 lbs



MOUNTING HOLE

**RoHS Compliant**

Drawing not to scale. Dimensions for reference only

Units: inches (mm)

**Konnect RF**

WWW.KONNECTRF.COM  
1-800-790-5887

PART NUMBER

**KCC197769**

DESCRIPTION

**TNC Straight Female Jack, Crimp, Bulkhead, IP67**

CAGE CODE

**664U0**

SIGNATURE

X

**Cable Types:** RG178, RG178-FEP**Component**

Body  
Center Contact  
Small Pin  
Insulator  
Ferrule  
Hex Nut  
Lock washer  
Gasket

**Material**

Brass  
Phos. Bronze  
Brass  
Teflon  
Copper  
Brass  
Brass  
Silicone

**Plating**

Tin-Zinc-Copper-Alloy 100 Over Copper 50  
Gold 4 Over Nickel-Phosphorus Alloy 80 Over Copper 20  
Gold 4 Over Nickel-Phosphorus Alloy 80 Over Copper 20  
Tin-Zinc-Copper-Alloy 100 Over Copper 50  
Tin-Zinc-Copper-Alloy 100 Over Copper 50  
Tin-Zinc-Copper-Alloy 100 Over Copper 50

THIS DRAWING INCLUDING THE  
DESIGNS IS THE PROPERTY OF  
KONNECT RF AND IS NOT TO  
BE USED FOR ANY PURPOSE  
WITHOUT OUR APPROVAL.