

PART NUMBER

KCC197742

REV.

DATE

COMMENTS

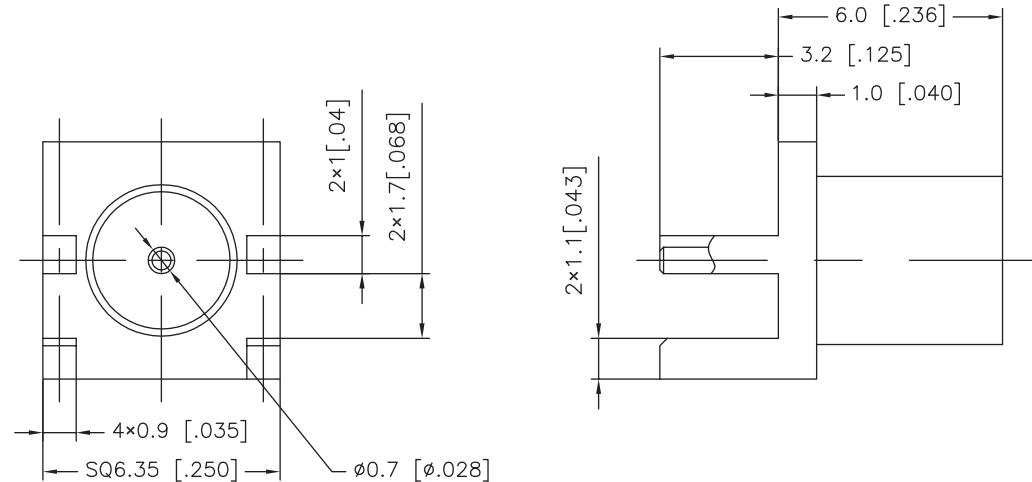
INITIAL

RoHS Compliant**Electrical Data**

Impedance 75 Ω
 Frequency Range DC - 6 GHz.
 Insulation Resistance 5,000 M Ω Min
 Dielectric Withstanding Voltage 1,000V Max At Sea Level

Mechanical Data

Durability 500 Cycles Min.
 Temperature Range: -65 °C - 125 °C



Drawing not to scale. Dimensions for reference only

Units: mm (Inches)

Konnect RF

WWW.KONNECTRF.COM
 1-800-790-5887

PART NUMBER

KCC197742

DESCRIPTION

75 Ohm MCX End Launch Female Jack Receptacle (Edge Mount)

CAGE CODE

664U0

SIGNATURE

X

THIS DRAWING INCLUDING THE
 DESIGNS IS THE PROPERTY OF
 KONNECT RF AND IS NOT TO
 BE USED FOR ANY PURPOSE
 WITHOUT OUR APPROVAL.

Component

Body
 Center Contact
 Insulator

Material

Brass
 BeCu
 PTFE

Plating

Gold
 Gold