

PART NUMBER

KCC197727

REV.

DATE

COMMENTS

INITIAL

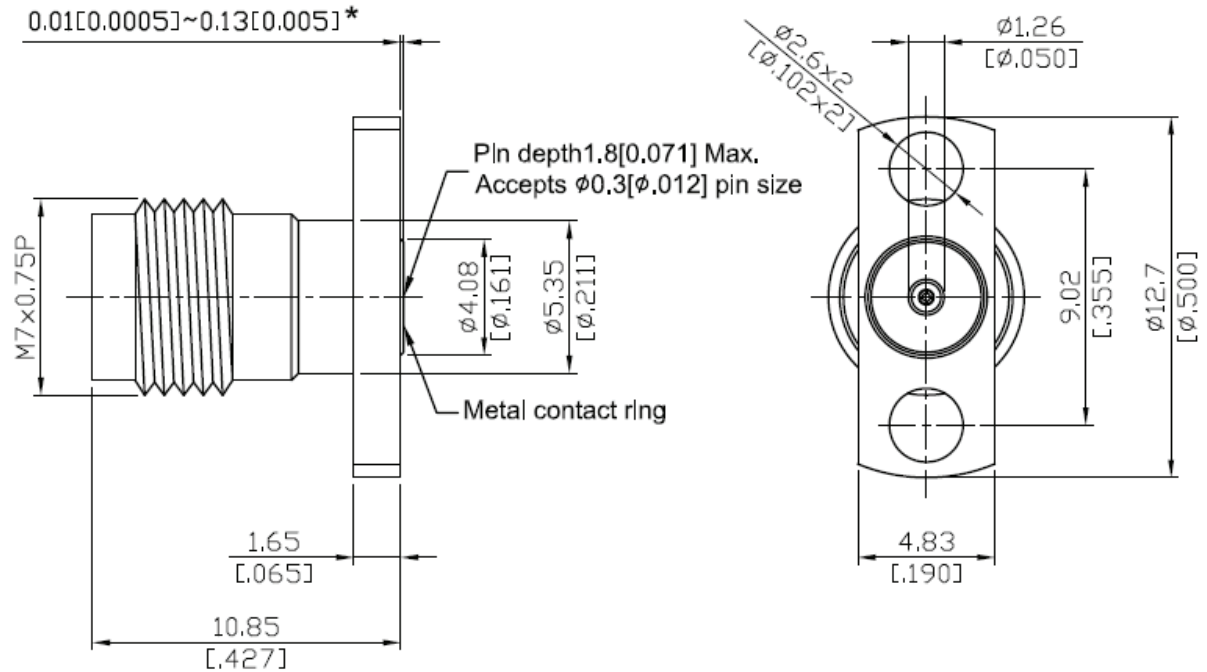
Electrical Data

Impedance	50Ω
Frequency range	DC to 50GHz
VSWR	≤ 1.18 (DC to 50GHz)
Insertion loss	≤ 0.05 x f(GHz) dB
Insulation resistance	≥5000MΩ
Contact resistance inner conductor	≤ 4mΩ
Contact resistance outer conductor	≤ 2.5mΩ
Dielectric withstanding voltage	500V rms (sea level)
Working voltage (sea level)	150V rms
RF leakage	≥100dB to 1GHz

Mechanical Data

Durability	500 Cycles Min.
Temperature Range:	-40 °C - 165 °C
Recommended coupling nut torque	7.08 to 9.74 inch lbs
Coupling proof Torque	15 inch lbs
Coupling nut retention force	≥60.7 lbs
Contact captivation-axial	≥4.5 lbs

Corrosion Resistance	MIL-STD-202, Method 101, Condition B.
Moisture Resistance	MIL-STD-202, Method 106
Thermal Shock	MIL-STD-202, Method 107, Condition B

RoHS Compliant

Drawing not to scale. Dimensions for reference only

Units: mm (Inches)

360° Raided Metal Contact Ring**Konnect RF**

WWW.KONNECTRF.COM
1-800-790-5887

PART NUMBER

KCC197727

DESCRIPTION

**2.4mm Straight Female Jack Field Replaceable Receptacle,
2 Hole Flange Mount, PSS**

CAGE CODE

664U0

SIGNATURE

X

THIS DRAWING INCLUDING THE
DESIGNS IS THE PROPERTY OF
KONNECT RF AND IS NOT TO
BE USED FOR ANY PURPOSE
WITHOUT OUR APPROVAL.

Component

Body
Center Contact

Metal Contact Ring
Insulator

Material

Stainless Steel
BeCu

BeCu
PEI

Plating(Micro-Inch)

Passivated
Gold 4 Over Nickel-Phosphorus
Alloy 80 Over Copper 20