

PART NUMBER

**KCC197707**

REV.

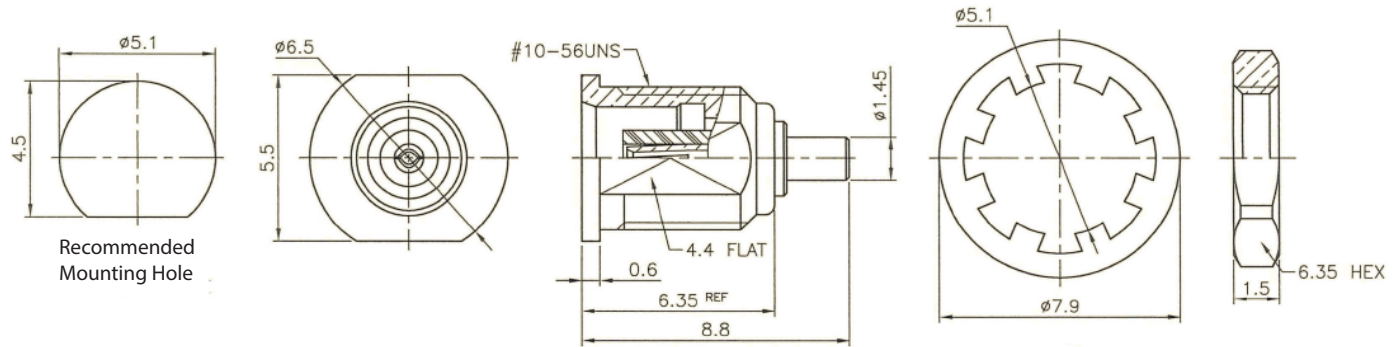
DATE

COMMENTS

INITIAL

**Electrical Data**

Impedance	50 $\Omega$
VSWR	1.3Max @ DC-6GHz
Dielectric Withstanding Voltage	750 Vrms min
Contact Resistance	
Center Contact	5m $\Omega$ Max
Outer Contact	2.5m $\Omega$ Max
Insulation Resistance	1,000M $\Omega$ Min.
Force to Engage/Disengage	63 N. Max /8N-20N
Contact Retention	10 N Min.

**RoHS Compliant**

1. MAX. PANEL THICKNESS=2.6mm

Drawing not to scale. Dimensions for reference only

Units: mm

**Konnect RF**

WWW.KONNECTRF.COM  
1-800-790-5887

PART NUMBER

**KCC197707**

DESCRIPTION

**MCX Straight Female Jack Receptacle, Bulkhead**

CAGE CODE

**664U0**

SIGNATURE

X

THIS DRAWING INCLUDING THE  
DESIGNS IS THE PROPERTY OF  
KONNECT RF AND IS NOT TO  
BE USED FOR ANY PURPOSE  
WITHOUT OUR APPROVAL.

**Component**  
Body & Nut**Material**  
Brass PER QQ-B-626**Plating**

Gold PL 3 MIN Over  
Nickel PL 70 MIN Thick Over Copper Strike  
Gold PL 3 MIN Over  
Nickel PL 70 MIN Thick Over Copper Strike  
Gold PL 3 MIN Over  
Nickel PL 70 MIN Thick Over Copper Strike

Washer

Brass PER QQ-B-613

Center Contact

BeCu PER QQ-C-530

Insulator

PTFE