

PART NUMBER

KCC197689

REV.

DATE

COMMENTS

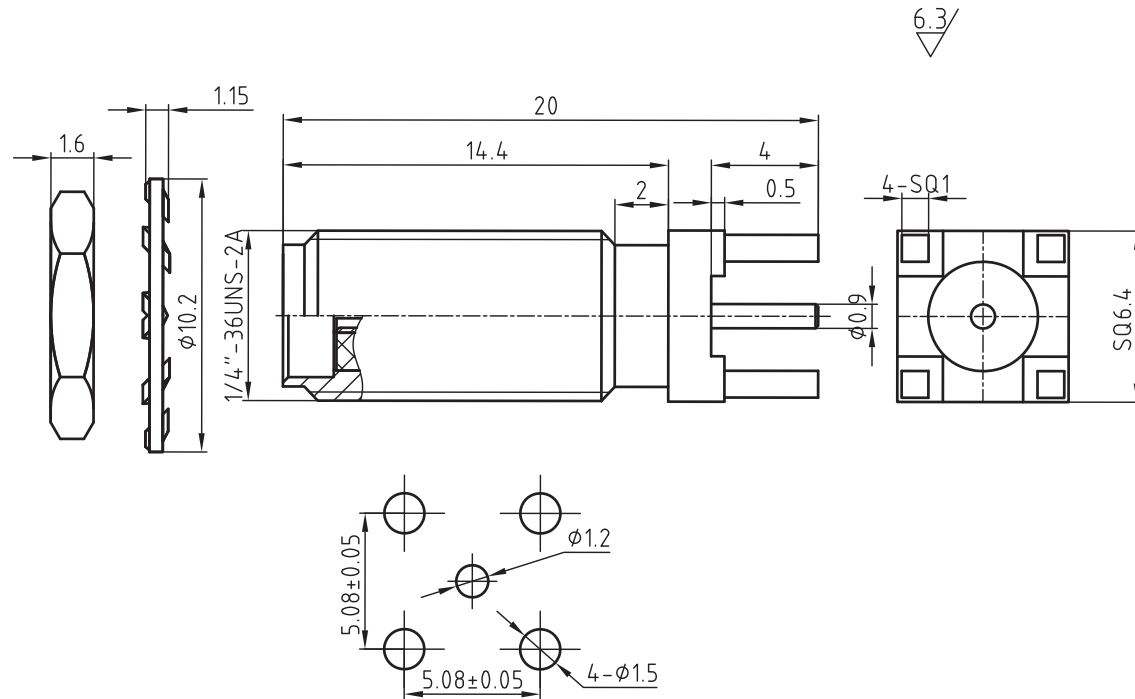
INITIAL

Electrical Data

Impedance	50Ω
Frequency Range	DC - 6 GHz.
Contact Resistance	
Center	≤ 3.0 mΩ
Outer	<2.0 mΩ
Insulation Resistance	>5,000MΩ
Dielectric Withstanding Voltage	750V/AC
VSWR	≤ 1.2@ 3GHz

Mechanical Data

Durability	500 Cycles Min.
Temperature Range:	-40 °C - 150 °C
Interface:	IEC61169-15

RoHS Compliant

Drawing not to scale. Dimensions for reference only

Units: mm

Konnect RF

WWW.KONNECTRF.COM
1-800-790-5887

PART NUMBER

KCC197689

DESCRIPTION

**SMA Straight Female Jack, Bulkhead Mount,
4 Leg PC Board Receptacle**

CAGE CODE

664U0

SIGNATURE

X

THIS DRAWING INCLUDING THE
DESIGNS IS THE PROPERTY OF
KONNECT RF AND IS NOT TO
BE USED FOR ANY PURPOSE
WITHOUT OUR APPROVAL.

Component

Body & Nut
Washer
Prtective Cap
Center Contact
Insulator

Material

Brass
Bronze
Yellow
Bronze
PTFE

Plating

Gold
Gold
PE
Gold