

PART NUMBER

KCC197685

REV.

DATE

COMMENTS

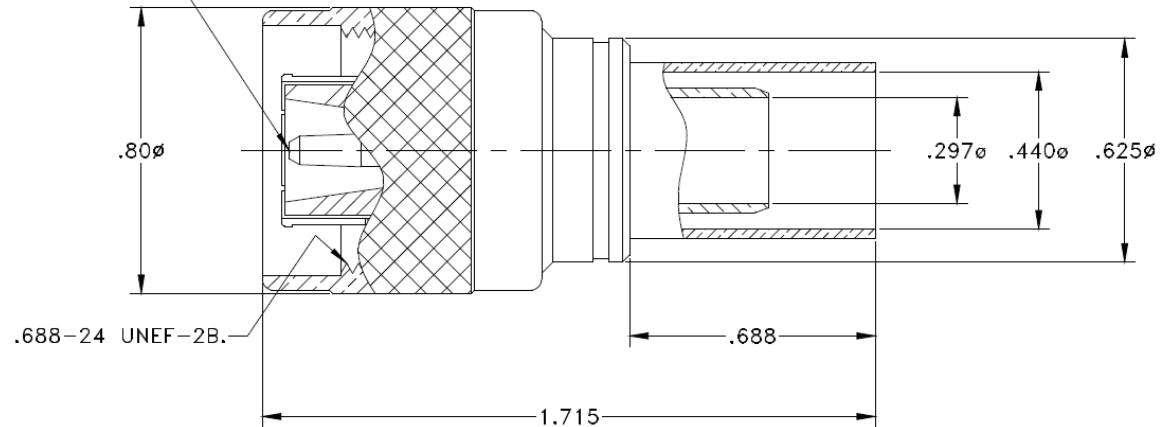
INITIAL

Electrical Data

Impedance 50Ω
 Frequency Range DC - 11 GHz.
 Voltage Rating 1,000V RMS
 Insulation Resistance 5,000MΩ Min
 Dielectric Withstanding Voltage 3,000 Volts RMS

Mechanical Data

Temperature Range: -65 °C - 165 °C

RoHS CompliantCRIMP CAPTIVE
CONTACT

VSWR and Frequency Range Specifications
 are for reference and are dependant on cable
 type and other application specific conditions

Drawing not to scale. Dimensions for reference only

Units: Inches

WWW.KONNECTRF.COM
 1-800-790-5887

PART NUMBER

KCC197685

DESCRIPTION

SC Straight Male Plug, Crimp

CAGE CODE

664U0

SIGNATURE

X

Cable Types: RG393, RG9, & 214

Component	Material	Plating
Body	Brass	Nickel
Snap Ring	Phos Bronze	
Dielectric	PTFE	
Center Contact	Brass	Silver
Gaskets	Silicone Rubber	Red

THIS DRAWING INCLUDING THE
 DESIGNS IS THE PROPERTY OF
 KONNECT RF AND IS NOT TO
 BE USED FOR ANY PURPOSE
 WITHOUT OUR APPROVAL.