

PART NUMBER

**KCC197678**

REV.

DATE

COMMENTS

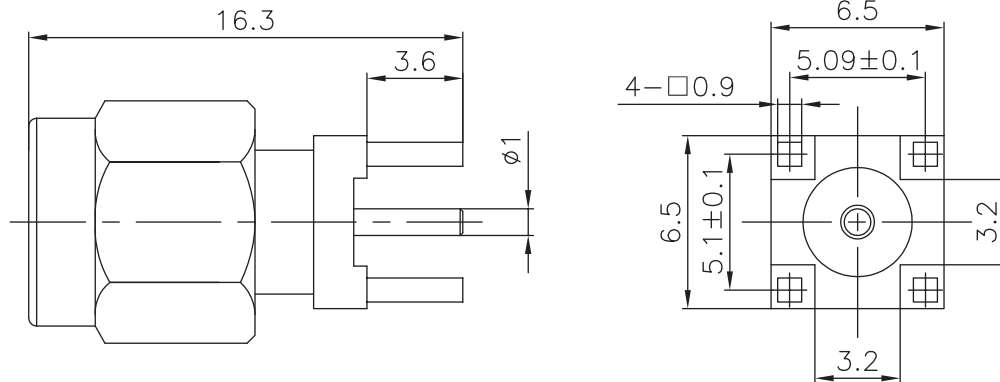
INITIAL

**Electrical Data**

Impedance	50 $\Omega$
Frequency Range	DC - 6GHz.
Insertion Loss	$\leq 0.2\text{dB @ 6GHz}$
Dielectric Withstanding Voltage	1,000V Max At Sea Level
Insulation Resistance	5,000M $\Omega$ min
VSWR	$\leq 1.15$

**Mechanical Data**

Durability	500 Cycles Min.
Temperature Range:	- 55°C - 165 °C

**RoHS Compliant**

Drawing not to scale. Dimensions for reference only

Units: mm

**Konnect RF**

WWW.KONNECTRF.COM  
1-800-790-5887

PART NUMBER

**KCC197678**

DESCRIPTION

**SMA Straight Male Plug, 4 Leg PC Board Receptacle**

CAGE CODE

**664U0**

SIGNATURE

X

THIS DRAWING INCLUDING THE  
DESIGNS IS THE PROPERTY OF  
KONNECT RF AND IS NOT TO  
BE USED FOR ANY PURPOSE  
WITHOUT OUR APPROVAL.

**Component**  
Body & Nut  
Center Contact  
Insulator

**Material**  
Brass  
Brass  
PTFE

**Plating**  
Gold  
Gold  
Gold