

PART NUMBER

KCC197677

REV.

DATE

COMMENTS

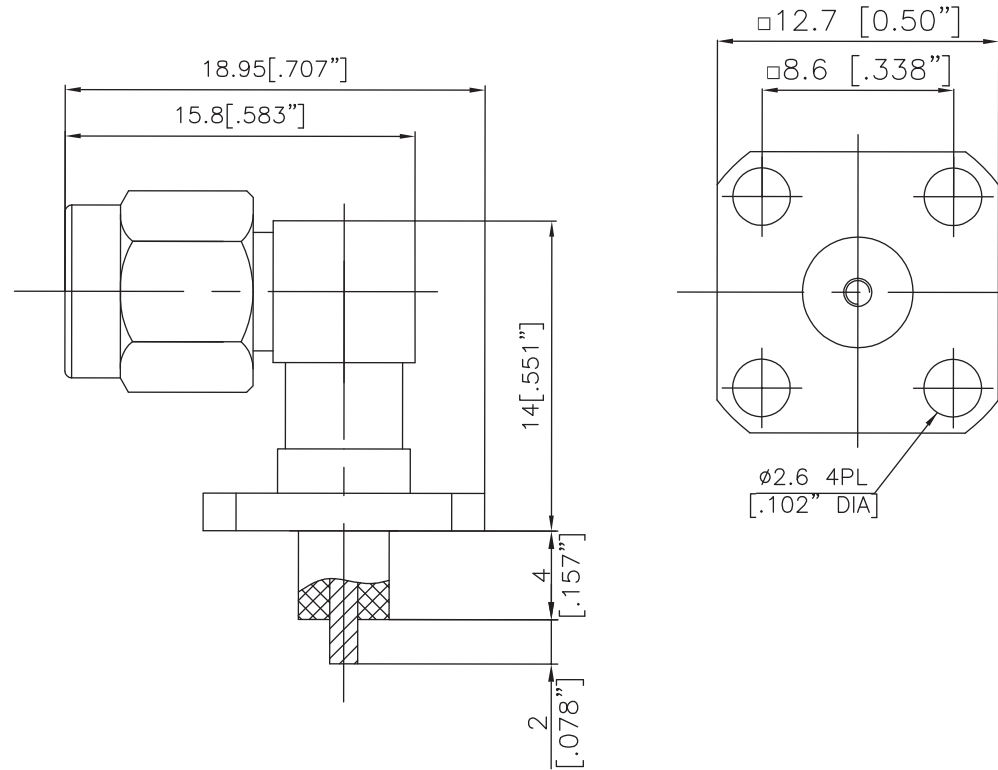
INITIAL

Electrical Data

Impedance	50Ω
Frequency Range	DC - 6GHz.
Insertion Loss	≤0.2dB @6GHz
Insulation Resistance	5,000 MΩ min
Dielectric Withstanding Voltage	1,000V Max At Sea Level
VSWR	≤ 1.15

Mechanical Data

Durability	500 Cycles Min.
Temperature Range:	-55 °C - 165 °C

RoHS Compliant

Drawing not to scale. Dimensions for reference only

Units: mm (Inches)

Konnect RF

WWW.KONNECTRF.COM
1-800-790-5887

PART NUMBER

KCC197677

DESCRIPTION

SMA Straight Male Plug Receptacle, 4 Hole Flange Mount, Extended Teflon, Blunt Post

CAGE CODE

664U0

SIGNATURE

X

THIS DRAWING INCLUDING THE DESIGNS IS THE PROPERTY OF KONNECT RF AND IS NOT TO BE USED FOR ANY PURPOSE WITHOUT OUR APPROVAL.

Component

Body & Nut
Center Contact
Insulator

Material

Brass
Brass
PTFE

Plating

Gold
Gold