

PART NUMBER

**KCC197662**

REV.

DATE

COMMENTS

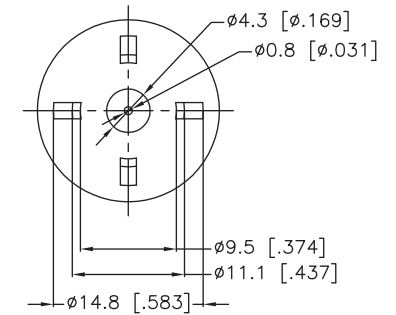
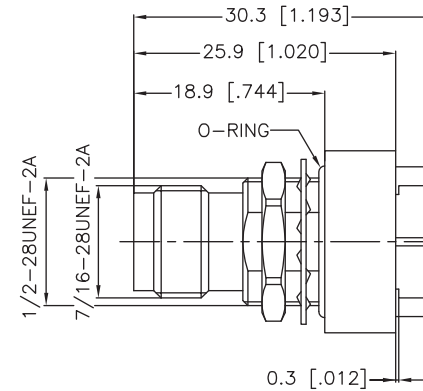
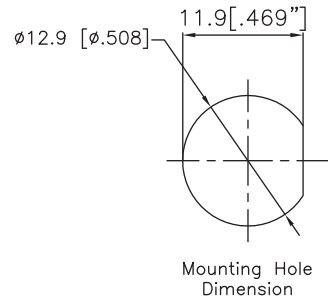
INITIAL

**Electrical Data**

Impedance	75 $\Omega$
Frequency Range	DC - 3 GHz.
Insulation Resistance	5,000 M $\Omega$ Min
Dielectric Withstanding Voltage	1,000V Max At sea Level
Ingress Protection	IP67

**Mechanical Data**

Durability	500 Cycles Min.
Temperature Range:	-65 °C - 165 °C

**RoHS Compliant**

Drawing not to scale. Dimensions for reference only

Units: mm (Inches)

**Konnect RF**

WWW.KONNECTRF.COM  
1-800-790-5887

PART NUMBER

**KCC197662**

DESCRIPTION

**TNC Straight Female Jack, Bulkhead Mount,  
4 Leg PC Board Receptacle**

CAGE CODE

**664U0**

SIGNATURE

X

THIS DRAWING INCLUDING THE  
DESIGNS IS THE PROPERTY OF  
KONNECT RF AND IS NOT TO  
BE USED FOR ANY PURPOSE  
WITHOUT OUR APPROVAL.

**Component**

Body  
Center Contact  
Insulator

**Material**

Brass  
BeCu  
PTFE

**Plating**

Nickel  
Gold