

PART NUMBER

KCC197650

REV.

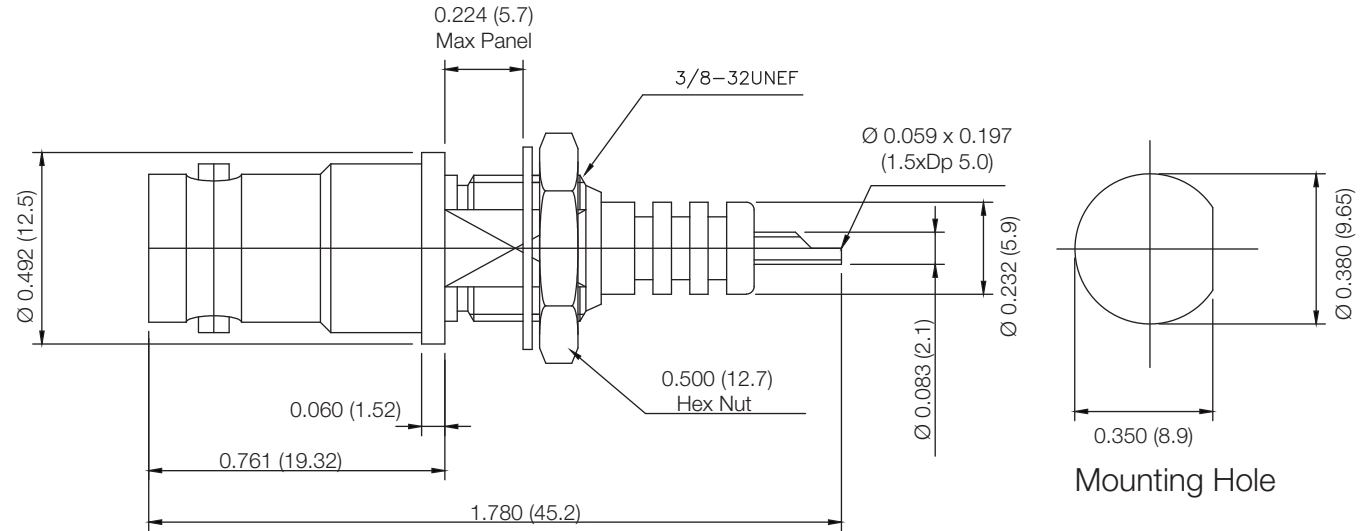
DATE

COMMENTS

INITIAL

Electrical Data

Impedance 50 Ω
 Maximum Voltage 3,000 Vrms
 5,000 DC

RoHS Compliant

Drawing not to scale. Dimensions for reference only

Units: inches (mm)

Konnnect RF

WWW.KONNECTRF.COM
 1-800-790-5887

PART NUMBER

KCC197650

DESCRIPTION

SHV Male Jack Receptacle, Bulkhead Front Mount

CAGE CODE

664U0

SIGNATURE

X

THIS DRAWING INCLUDING THE
 DESIGNS IS THE PROPERTY OF
 KONNECT RF AND IS NOT TO
 BE USED FOR ANY PURPOSE
 WITHOUT OUR APPROVAL.

Component

Body, Nut & Washer
 Center Contact
 Insulator

Material

Brass
 Brass
 PTFE

Plating

White bronze
 Gold