

PART NUMBER

**KCC197615**

REV.

DATE

COMMENTS

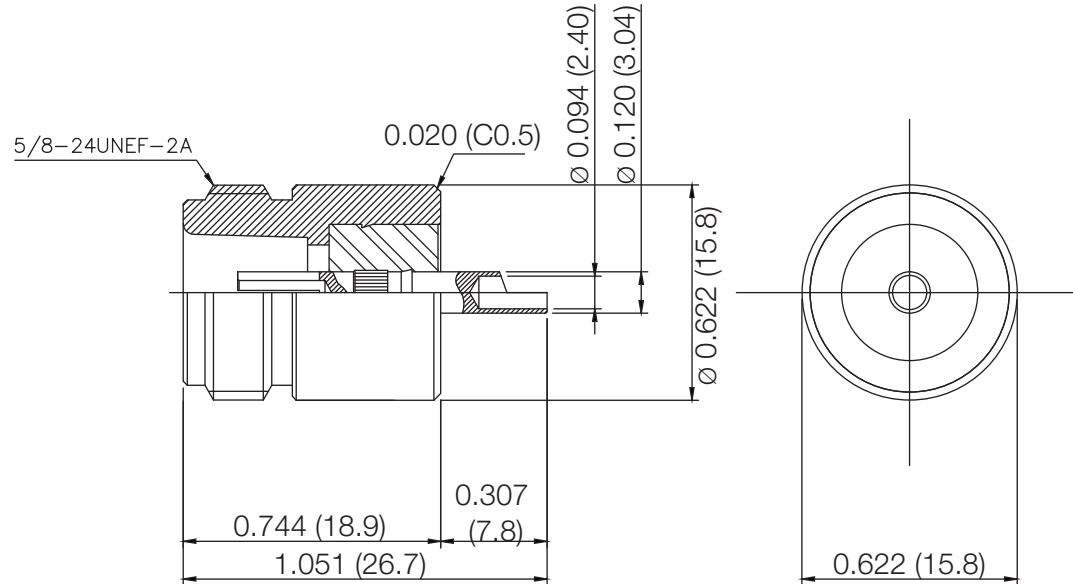
INITIAL

**Electrical Data**

Impedance 50Ω  
 Frequency Range DC - 11 GHz.  
 Working Voltage 1,000 VRMS  
 VSWR 1.25:1 up to 6GHz

**Mechanical Data**

Temperature Range: -55 °C - 165 °C

**RoHS Compliant**

Drawing not to scale. Dimensions for reference only

Units: inches (mm)

**Konnect RF**

WWW.KONNECTRF.COM  
 1-800-790-5887

PART NUMBER

**KCC197615**

DESCRIPTION

**N Straight Female Jack Receptacle, Solder Pot,**

CAGE CODE

**664U0**

SIGNATURE

X

THIS DRAWING INCLUDING THE  
 DESIGNS IS THE PROPERTY OF  
 KONNECT RF AND IS NOT TO  
 BE USED FOR ANY PURPOSE  
 WITHOUT OUR APPROVAL.

**Component**

Body  
 Center Contact  
 Insulator

**Material**

Brass  
 BeCu  
 PTFE

**Plating**

Nickel  
 Gold