

PART NUMBER

KCC197591

REV.

DATE

COMMENTS

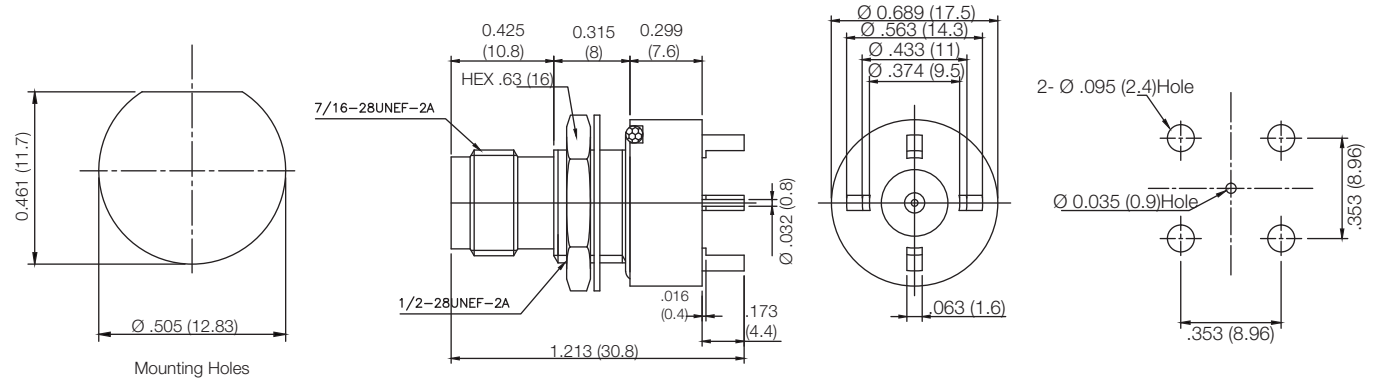
INITIAL

Electrical Data

Impedance	50 Ω
Frequency Range	DC -11GHz.
Insertion Loss	\leq 0.25 dB
Contact Current	3.5A DC Max.
Contact Resistance	
Center	\leq 1.5 m Ω
Outer	\leq 1.0 m Ω
Insulation Resistance	5,000 M Ω Min.
Voltage Rating	500 VRMS
VSWR	\leq 1.25

Mechanical Data

Temperature Range:	-40 °C - 145 °C
Waterproof Rating	IP67

RoHS Compliant

Drawing not to scale. Dimensions for reference only

Units: inches (mm)

Konnect RF

WWW.KONNECTRF.COM
1-800-790-5887

PART NUMBER

KCC197591

DESCRIPTION

TNC Straight Female Jack 4 Leg Standoff PC Board Receptacle, Bulkhead , IP67

CAGE CODE

664U0

SIGNATURE

X

THIS DRAWING INCLUDING THE DESIGNS IS THE PROPERTY OF KONNECT RF AND IS NOT TO BE USED FOR ANY PURPOSE WITHOUT OUR APPROVAL.

Component

Body, Nut & Washer
Center Contact
Insulator
O-Ring

Material

Brass
BeCu
PTFE
Silicone Rubber

Plating

Nickel
Silver