

PART NUMBER

KCC197589

REV.

DATE

COMMENTS

INITIAL

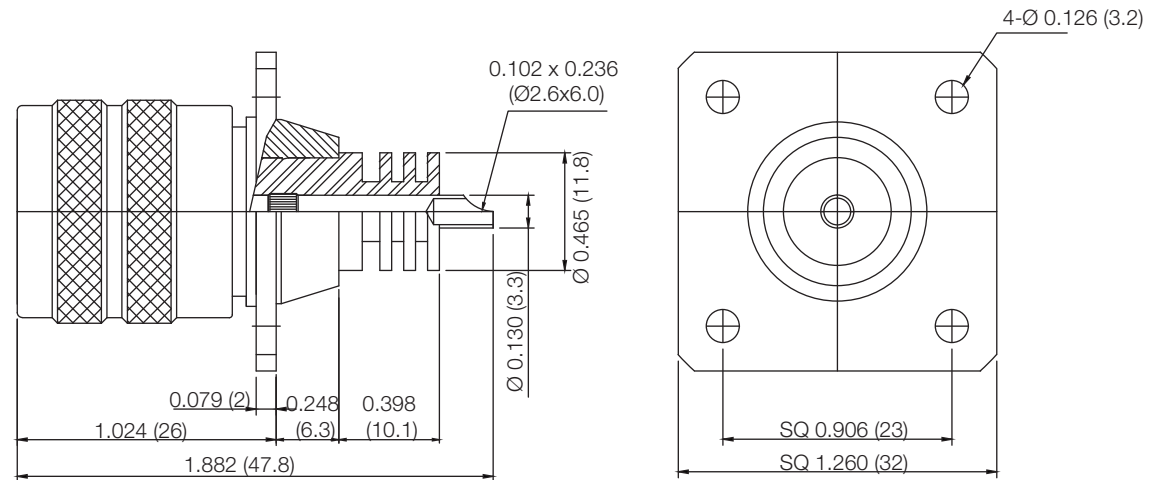
Electrical Data

| | |
|---------------------------------|----------------|
| Impedance | 50 Ω |
| Frequency Range | DC - 4 GHz. |
| Insertion Loss | ≤ 0.25 dB |
| Test Voltage | 5,000 VRMS |
| Working Voltage | 1,500 VRMS |
| Dielectric Withstanding Voltage | 5,000 VRMS |

Mechanical Data

Temperature Range: -55 °C - 155 °C

2002/95/EC (RoHS) Compliant

RoHS Compliant

Drawing not to scale. Dimensions for reference only

Units: inches (mm)

Konnect RFWWW.KONNECTRF.COM
1-800-790-5887

PART NUMBER

KCC197589

DESCRIPTION

**HN Straight Male Plug Receptacle, 4 Hole Flange Mount ,
Extended Teflon, Solder Pot, Diamond Knurling**

CAGE CODE

664U0

SIGNATURE

X

THIS DRAWING INCLUDING THE
DESIGNS IS THE PROPERTY OF
KONNECT RF AND IS NOT TO
BE USED FOR ANY PURPOSE
WITHOUT OUR APPROVAL.**Component**Body & Coupling Cap
Center Contact
Insulator
Gasket**Material**Brass
Brass
PTFE
Silicone Rubber**Plating**Nickel
Silver