

PART NUMBER

KCC197562

REV.

DATE

COMMENTS

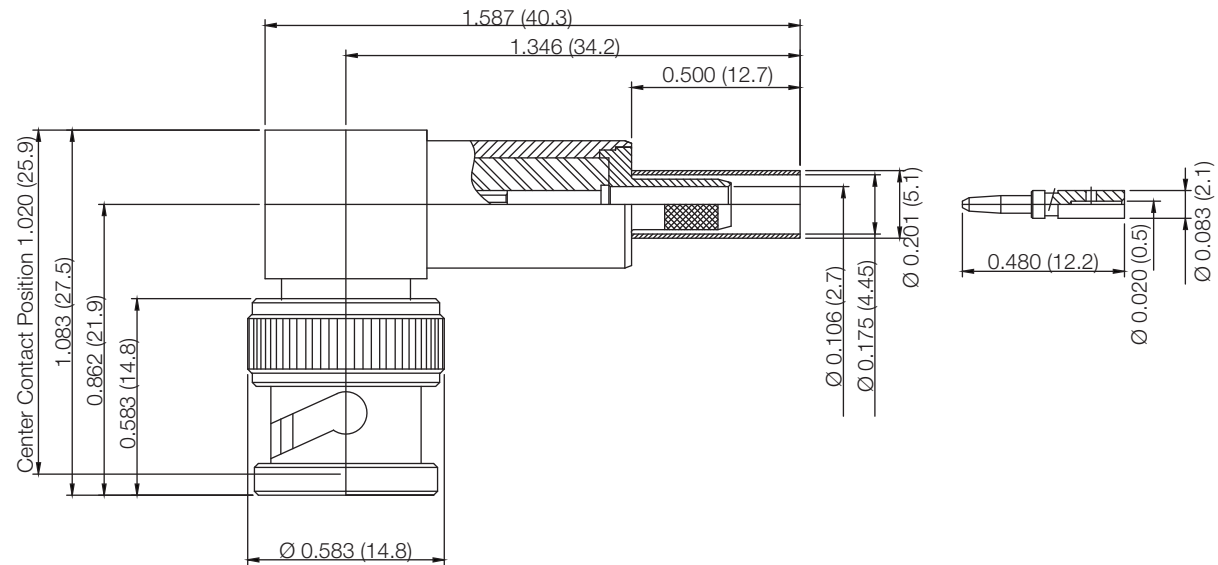
INITIAL

Electrical Data

Impedance 50Ω
 Frequency Range DC - 4 GHz.
 Working Voltage 500 Volts

RoHS Compliant**Mechanical Data**

Interface PER MIL-STD-348



Drawing not to scale. Dimensions for reference only

Units: inches (mm)

Konnect RF

WWW.KONNECTRF.COM
 1-800-790-5887

PART NUMBER

KCC197562

DESCRIPTION

BNC Right Angle Male Plug, Spring Finger, Crimp

CAGE CODE

664U0

SIGNATURE

X

Cable Types: RG-180**Component**

Body
 Center Contact
 Outer Contact
 Lockring
 Gasket
 Insulator

Material

Brass
 Brass
 BeCu
 Stainless Steel
 Silicone Rubber
 PTFE

Plating

Silver Plated PER QQ-S-365
 Gold Plated PER MIL-G45204
 Silver Plated PER QQ-S-365
 Silver Plated PER QQ-S-365

THIS DRAWING INCLUDING THE
 DESIGNS IS THE PROPERTY OF
 KONNECT RF AND IS NOT TO
 BE USED FOR ANY PURPOSE
 WITHOUT OUR APPROVAL.