

PART NUMBER

KCC197553

REV.

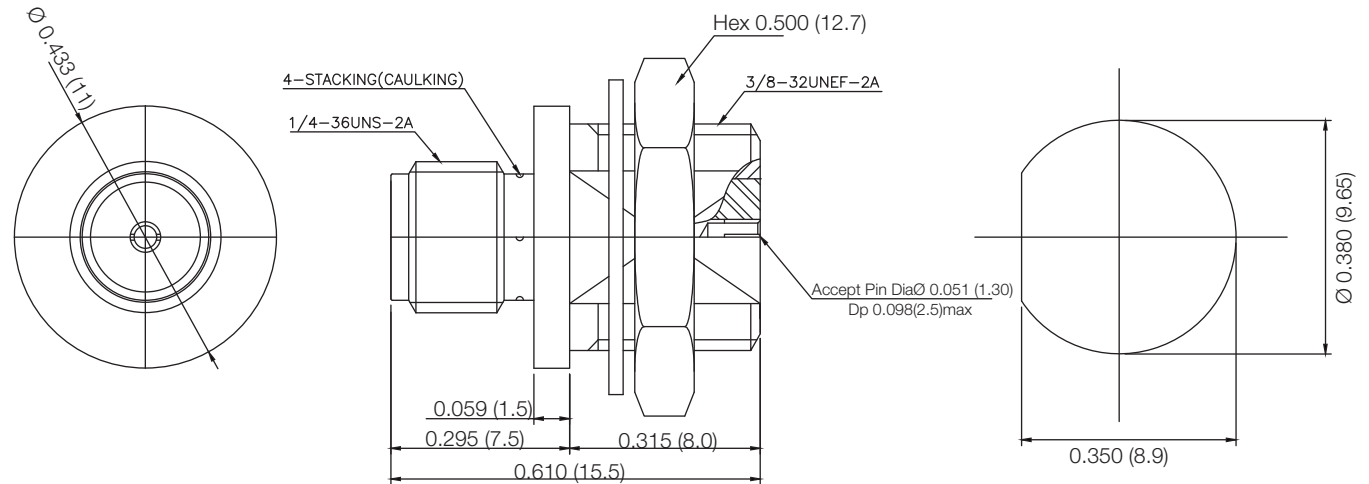
DATE

COMMENTS

INITIAL

Electrical Data

Impedance	50 Ω
Frequency Range	DC - 18GHz.
Working Voltage	500 VRMS max
Insulation Resistance	5,000M Ω min
Contact Resistance	< 3M Ω
Dielectric Withstanding Voltage	750V min

RoHS Compliant

Drawing not to scale. Dimensions for reference only

Units: inches (mm)

Konnect RF

WWW.KONNECTRF.COM
1-800-790-5887

PART NUMBER

KCC197553

DESCRIPTION

**SMA Straight Female Jack Receptacle, Bulkhead Mount,
Accepts Pin 0.051"**

CAGE CODE

664U0

SIGNATURE

X

THIS DRAWING INCLUDING THE
DESIGNS IS THE PROPERTY OF
KONNECT RF AND IS NOT TO
BE USED FOR ANY PURPOSE
WITHOUT OUR APPROVAL.

Component

Body
Center Contact
Insulator

Material

Stainless Steel
BeCu
PTFE

Plating/Finish

Passivated
Gold