

PART NUMBER

**KCC197549**

REV.

DATE

COMMENTS

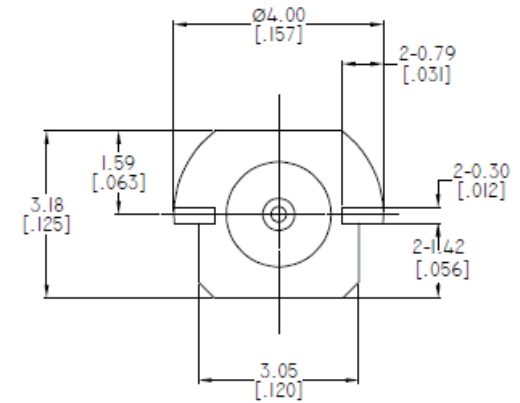
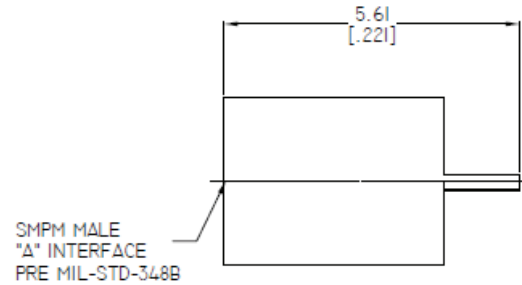
INITIAL

**Electrical Data**

Impedance 50Ω  
 Frequency Range DC - 65 GHz.

**Mechanical Data**

Temperature Range: -65 °C - 165 °C  
 2011/65/EU (RoHS) Compliant

**RoHS Compliant**

Drawing not to scale. Dimensions for reference only

Units: mm (Inches)

**Konnect RF**

WWW.KONNECTRF.COM  
 1-800-790-5887

PART NUMBER

**KCC197549**

DESCRIPTION

**SSMP Straight Male Plug, Surface Mount,  
PC Board, Smooth Bore**

CAGE CODE

**664U0**

SIGNATURE

X

THIS DRAWING INCLUDING THE  
 DESIGNS IS THE PROPERTY OF  
 KONNECT RF AND IS NOT TO  
 BE USED FOR ANY PURPOSE  
 WITHOUT OUR APPROVAL.

**Component**

Body  
 Center Contact  
 Base

**Material**

Stainless Steel  
 BeCu  
 BeCu

**Plating/Finish**

Passivated  
 Gold  
 Gold