

PART NUMBER

KCC197538

REV.

DATE

COMMENTS

INITIAL

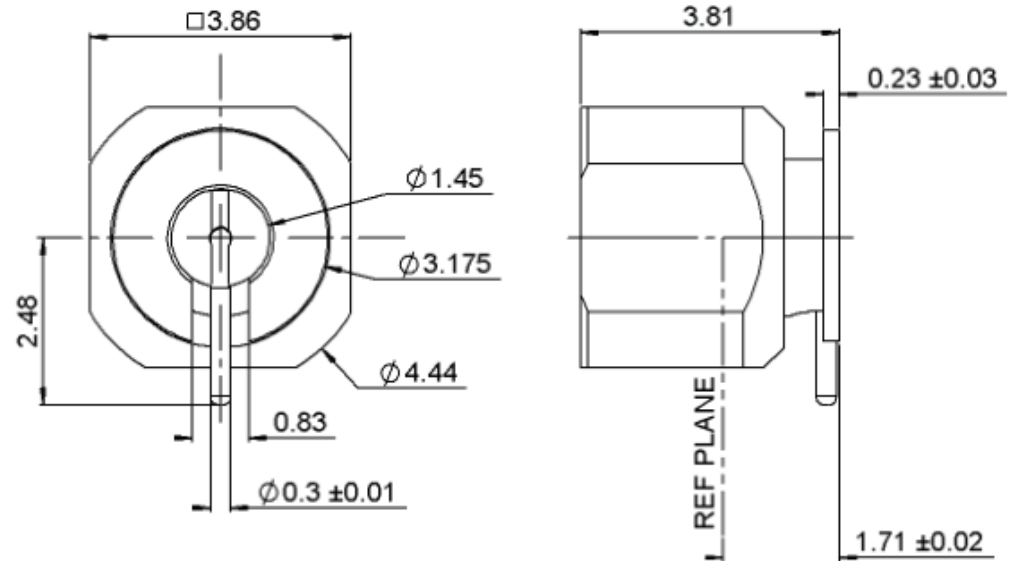
Electrical Data

Impedance 50 Ω
 Frequency Range DC - 65 GHz.
 Insulation Resistance $\geq 5000 M\Omega$
 Dielectric Withstanding Voltage 500 V

Mechanical Data

Durability 500 Cycles
 Temperature Range: -65 °C - 165 °C

RoHS Compliant



Drawing not to scale. Dimensions for reference only

Units: mm

Konnect RF

WWW.KONNECTRF.COM
 1-800-790-5887

PART NUMBER

KCC197538

DESCRIPTION

**SSMP Straight Male Plug, Surface Mount,
PCB Receptacle, Smooth Bore**

CAGE CODE

664U0

SIGNATURE

X

THIS DRAWING INCLUDING THE
 DESIGNS IS THE PROPERTY OF
 KONNECT RF AND IS NOT TO
 BE USED FOR ANY PURPOSE
 WITHOUT OUR APPROVAL.

Component
 Body
 Center Contact
 Insulator

Material
 BeCu
 BeCu
 PEEK

Plating
 Gold
 Gold
 Gold