

PART NUMBER

KCC197532

REV.

DATE

COMMENTS

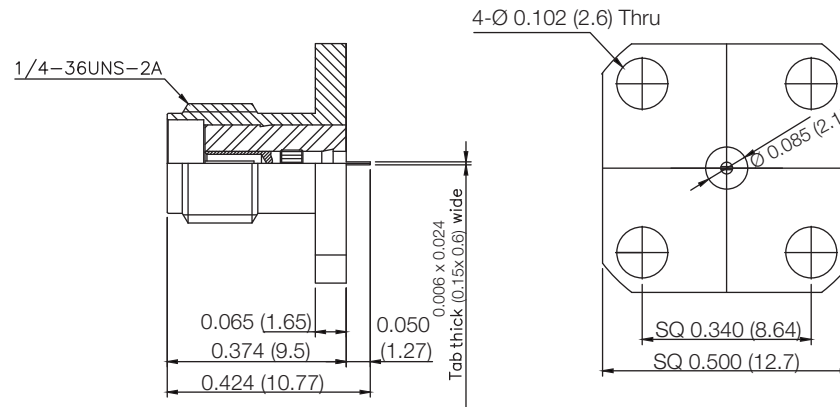
INITIAL

Electrical Data

Impedance	50 Ω
Frequency Range	DC - 18 GHz.
Voltage Rating	500 Max
Insulation Resistance	5,000 M Ω
Dielectric Withstanding Voltage	750 VRMS
VSWR	1.25 Max @ 18GHz

Mechanical Data

Temperature Range: -45 °C - 125 °C

RoHS Compliant

Drawing not to scale. Dimensions for reference only

Units: inches (mm)

Konnect RF

WWW.KONNECTRF.COM
1-800-790-5887

PART NUMBER

KCC197532

DESCRIPTION

SMA Straight Female Jack Receptacle, 4 Hole Flange Mount, Tab Contact , Mechanical Captivated

CAGE CODE

664U0

SIGNATURE

X

THIS DRAWING INCLUDING THE DESIGNS IS THE PROPERTY OF KONNECT RF AND IS NOT TO BE USED FOR ANY PURPOSE WITHOUT OUR APPROVAL.

Component

Body
Center Contact
Insulator

Material

Stainless Steel
BeCu
PTFE

Plating

Gold
Gold