

PART NUMBER

**KCC197519**

REV.

DATE

COMMENTS

INITIAL

RoHS Compliant

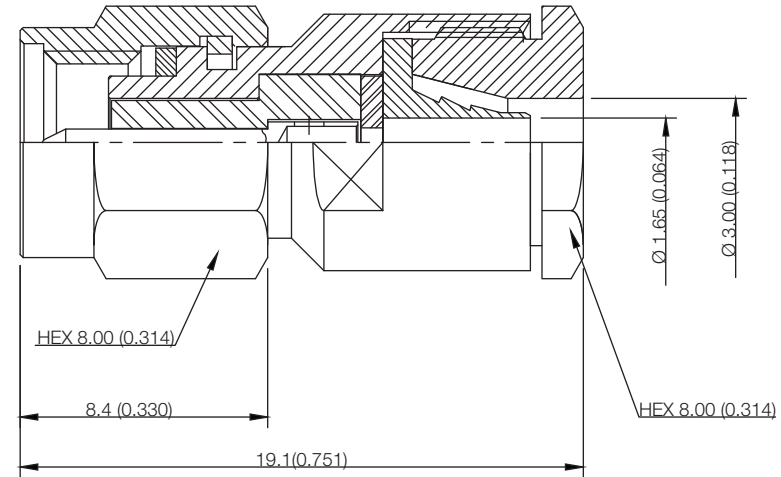
**Electrical Data**

Impedance	50 $\Omega$
Frequency Range	DC - 12.4 GHz
Insertion Loss	0.05 F(GHz)
Working Voltage	335 VRMS max
Insulation Resistance	5000MO min
Dielectric Withstanding Voltage	750V min
VSWR	1.25: 1 @ 12.4GHz Max

\*\*MIL-C-39012

**Mechanical Data**

Durability	500 Cycles Min
Temperature Range	-55 °C - 145 °C



**VSWR and Frequency Range Specifications are for reference and are dependant on cable type and other application specific conditions**

Drawing not to scale. Dimensions for reference only

Units: inches (mm)

Cable Types: RG316 D/S

WWW.KONNECTRF.COM  
1-800-790-5887

PART NUMBER

**KCC197519**

DESCRIPTION

**SMA Straight Male Plug, Clamp**

CAGE CODE

**664U0**

SIGNATURE

X

THIS DRAWING INCLUDING THE DESIGNS IS THE PROPERTY OF KONNECT RF AND IS NOT TO BE USED FOR ANY PURPOSE WITHOUT OUR APPROVAL.

**Component**

Body  
Coupling Nut  
Coupling Cap  
Center Contact  
Insulator  
Gasket  
Cable Ferrule

**Material**

Brass  
Brass  
Brass  
Brass  
PTFE  
Silicone Rubber  
Brass

**Plating**

Nickle  
Nickle  
Nickle  
Gold  
  
Gold