

PART NUMBER

KCC197515

REV.

DATE

COMMENTS

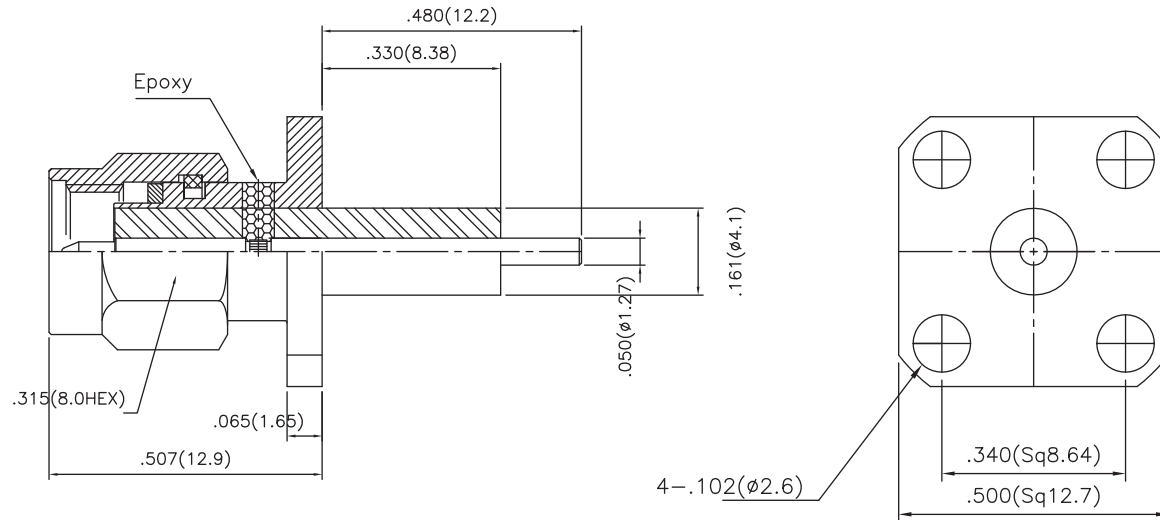
INITIAL

Electrical Data

Impedance 50 Ω

Mechanical Data

Interface PER MIL-STD-348

RoHS Compliant

Drawing not to scale. Dimensions for reference only

Units: inches (mm)

Konnect RFWWW.KONNECTRF.COM
1-800-790-5887

PART NUMBER

KCC197515

DESCRIPTION

**SMA Straight Male Plug Receptacle, 4 Hole Flange Mount ,
Extended Teflon , Blunt Post, Epoxy Captivated,**

CAGE CODE

664U0

SIGNATURE

X

THIS DRAWING INCLUDING THE
DESIGNS IS THE PROPERTY OF
KONNECT RF AND IS NOT TO
BE USED FOR ANY PURPOSE
WITHOUT OUR APPROVAL.**Component**Body & Coupling Cap
Center Contact
Insulator**Material**Stainless Steel
BeCu
PTFE**Plating/Finish**Passivated
Gold