

PART NUMBER

KCC197508

REV.

DATE

COMMENTS

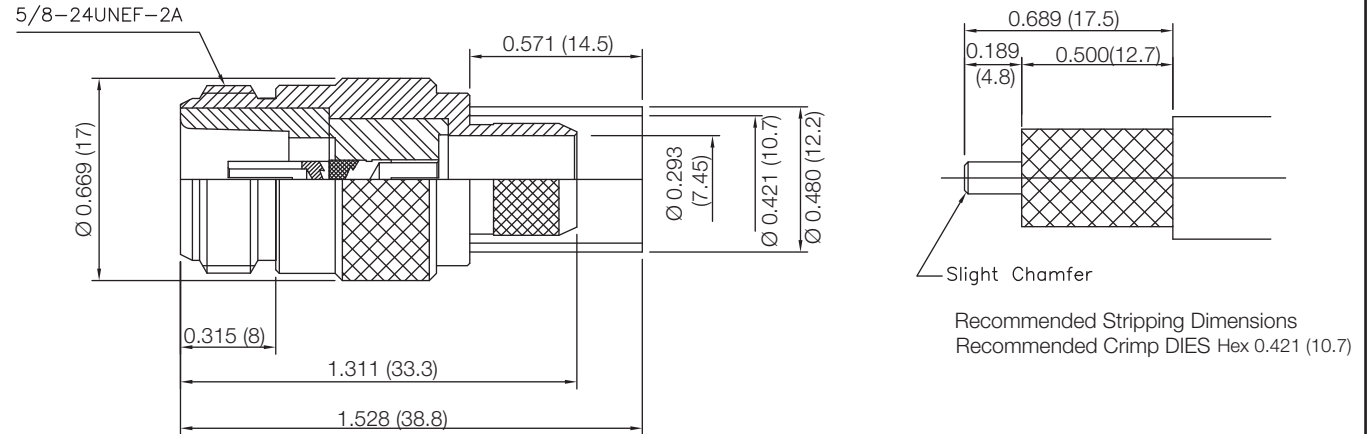
INITIAL

Electrical Data

Impedance 50 Ω
 Frequency Range DC - 6 GHz.
 Insertion Loss \leq XX dB
 Working Voltage 1,000 VRMS
 VSWR 1.25 max @ 3.0GHz

Mechanical Data

Temperature Range: -55 °C - 155 °C

RoHS Compliant

VSWR and Frequency Range Specifications are for reference and are dependant on cable type and other application specific conditions

Drawing not to scale. Dimensions for reference only

Units: inches (mm)

WWW.KONNECTRF.COM
 1-800-790-5887

PART NUMBER

KCC197508

DESCRIPTION

N Straight Female Jack, Crimp, Spring Finger Center

CAGE CODE

664U0

SIGNATURE

X

Cable Types: RG-213, LMR-400

Component
 Body
 Center Contact
 Ferrule
 Insulator

Material
 Brass
 BeCu
 Brass
 PTFE

Plating
 White Bronze
 Gold
 Nickel

THIS DRAWING INCLUDING THE DESIGNS IS THE PROPERTY OF KONNECT RF AND IS NOT TO BE USED FOR ANY PURPOSE WITHOUT OUR APPROVAL.