

PART NUMBER

KCC197504

REV.

DATE

COMMENTS

INITIAL

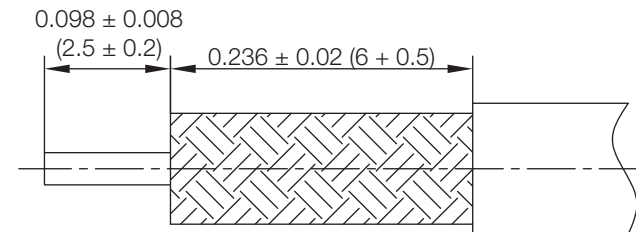
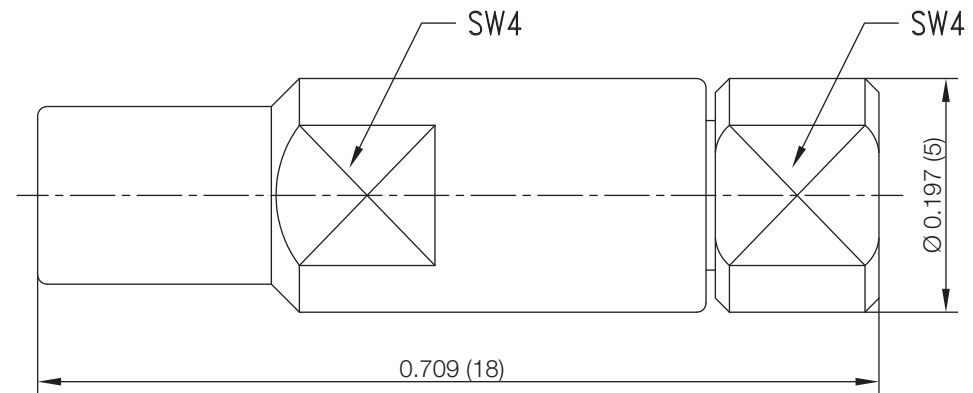
Electrical Data

Impedance	50 Ω
Frequency Range	DC - 18 GHz.
Insertion Loss	≤ 0.25 dB @ 18 GHz
Insulation Resistance	5000 M Ω min
Dielectric Withstanding Voltage	500 VRMS
VSWR	1.30 max @ 18 GHz

Mechanical Data

Durability	500 Cycles
Temperature Range:	-65 °C - 165 °C

RoHS Compliant



RECOMMENDED STRIPPING DIMENSIONS

VSWR and Frequency Range Specifications are for reference and are dependant on cable type and other application specific conditions

Drawing not to scale. Dimensions for reference only

Units: inches (mm)

WWW.KONNECTRF.COM
1-800-790-5887

PART NUMBER

KCC197504

DESCRIPTION

Cable Connector, SSMP Straight Male Plug, Solder

CAGE CODE

664U0

SIGNATURE

X

Cable: KRC177139 (.086 Ultra Flex Low Loss Cable)**Component**

Body
Center Contact
Insulator

Material

Stainless Steel
BeCu
PTFE

Plating

Passivated
10 μ " Gold

THIS DRAWING INCLUDING THE DESIGNS IS THE PROPERTY OF KONNECT RF AND IS NOT TO BE USED FOR ANY PURPOSE WITHOUT OUR APPROVAL.