

PART NUMBER

**KCC197482**

REV.

DATE

COMMENTS

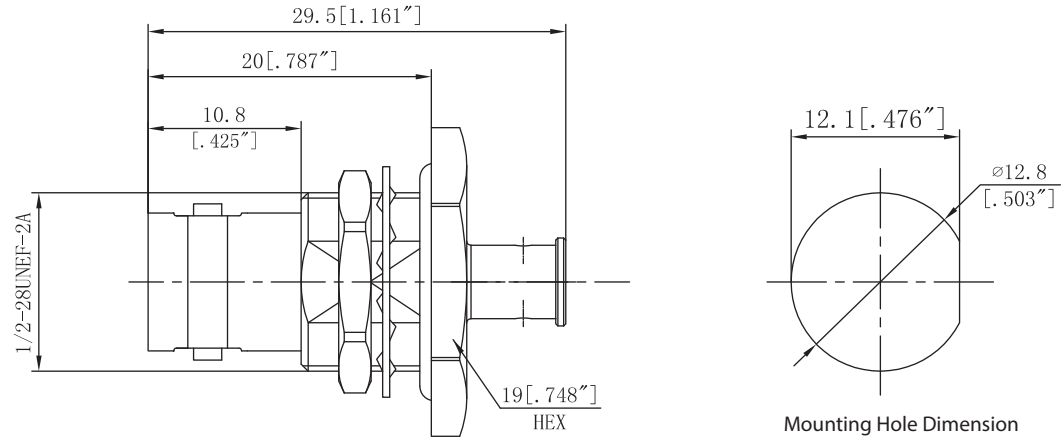
INITIAL

**RoHS Compliant****Electrical Data**

Impedance 50  $\Omega$   
 Frequency Range DC - 4GHz.  
 Insulation Resistance 5,000 M $\Omega$  Min  
 Dielectric Withstanding Voltage 1,000 Max At Sea Level

**Mechanical Data**

Durability 500 Cycles Min.  
 Temperature Range: -55 °C - 125 °C



**VSWR and Frequency Range Specifications**  
 are for reference and are dependant on cable  
 type and other application specific conditions

Drawing not to scale. Dimensions for reference only

Units: mm (Inches)

**Konnect RF**

WWW.KONNECTRF.COM  
 1-800-790-5887

PART NUMBER

**KCC197482**

DESCRIPTION

**BNC Straight Female Jack, Bulkhead, Solder**

CAGE CODE

**664U0**

SIGNATURE

X

THIS DRAWING INCLUDING THE  
 DESIGNS IS THE PROPERTY OF  
 KONNECT RF AND IS NOT TO  
 BE USED FOR ANY PURPOSE  
 WITHOUT OUR APPROVAL.

**Cable Types:** .141 SEMIRIGID / RG402

**Component**  
 Body  
 Center Contact  
 Insulator

**Material**  
 Brass  
 BeCu  
 PTFE

**Plating**  
 White Bronze  
 Gold