

PART NUMBER

KCC197460

REV.

DATE

COMMENTS

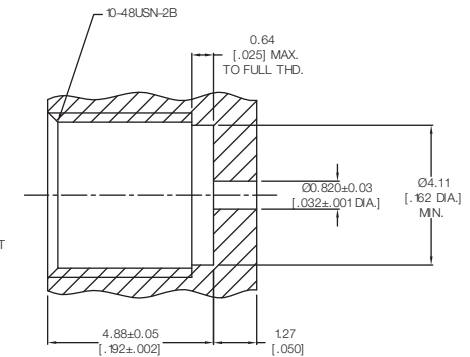
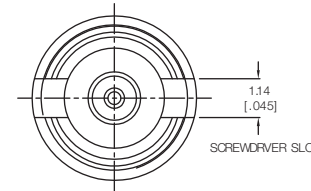
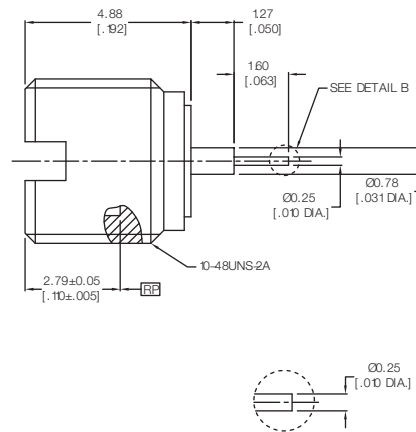
INITIAL

Electrical Data

Impedance 50 Ω
 Frequency Range DC - 40 GHz.
 VSWR 1.25 Typ. @ DC-18GHz
 1.35 Typ. @ 18-26.5GHz
 1.50 Typ @ 26.5 -40 GHz

Mechanical Data

Temperature Range: -55 °C - 125 °C
 2011/65/EU(RoHS) and 2015/863/(RoHS): Compliant
 1907/2006/EC(REACH): Compliant
 Recommended Torque
 Panel Nut 1 N.M (8.85 IN. LBs)



Recommended Mounting Hole

Drawing not to scale. Dimensions for reference only

Units: mm (Inches)

RoHS Compliant**Konnect RF**

WWW.KONNECTRF.COM
 1-800-790-5887

PART NUMBER

KCC197460

DESCRIPTION

**SMP Straight Male Plug Receptacle,
Extended Teflon , Thread-In, Smooth Bore**

CAGE CODE

664U0

SIGNATURE

X

THIS DRAWING INCLUDING THE
 DESIGNS IS THE PROPERTY OF
 KONNECT RF AND IS NOT TO
 BE USED FOR ANY PURPOSE
 WITHOUT OUR APPROVAL.

Component

Body
 Center Contact
 Insulator
 Bushing

Material

Stainless Steel
 BeCu
 PTFE
 Brass

Plating/Finish

Passivated
 Gold
 Nickel