

PART NUMBER

**KCC197432**

REV.

DATE

COMMENTS

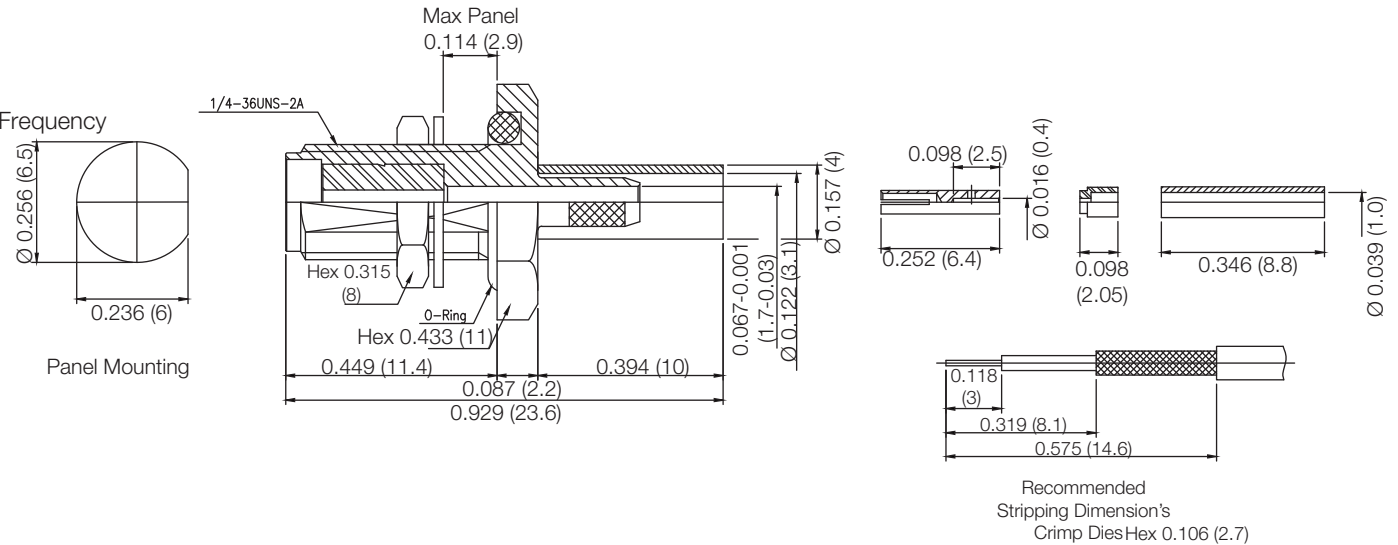
INITIAL

**Electrical Data**

Impedance	50Ω
Frequency Range	DC - 12.4 GHz.
Working Voltage	335 VRMS
Insulation Resistance	5,000 MΩ
Dielectric Withstanding Voltage	1,000 VRMS
VSWR	1.15 +(0.05 *F)/ F Frequency

**Mechanical Data**

Durability	500 Cycles Min.
Temperature Range:	-45 °C - 155 °C
Water Proof Rating	IP67



Drawing not to scale. Dimensions for reference only

Units: inches (mm)

**RoHS Compliant****Konnect RF**

WWW.KONNECTRF.COM  
1-800-790-5887

PART NUMBER

**KCC197432**

DESCRIPTION

**SMA Straight Female Jack, Bulkhead, O-Ring Seal (IP67), Crimp**

CAGE CODE

**664U0**

SIGNATURE

X

THIS DRAWING INCLUDING THE  
DESIGNS IS THE PROPERTY OF  
KONNECT RF AND IS NOT TO  
BE USED FOR ANY PURPOSE  
WITHOUT OUR APPROVAL.

**Cable Types:** RG-178**Component**

Body, Nut & Washer  
Center Contact  
Ferrule  
O-Ring  
Insulator

**Material**

Brass  
BeCu  
Brass  
Silicone Rubber  
PTFE

**Plating**

Nickel  
Gold  
Nickel