

PART NUMBER

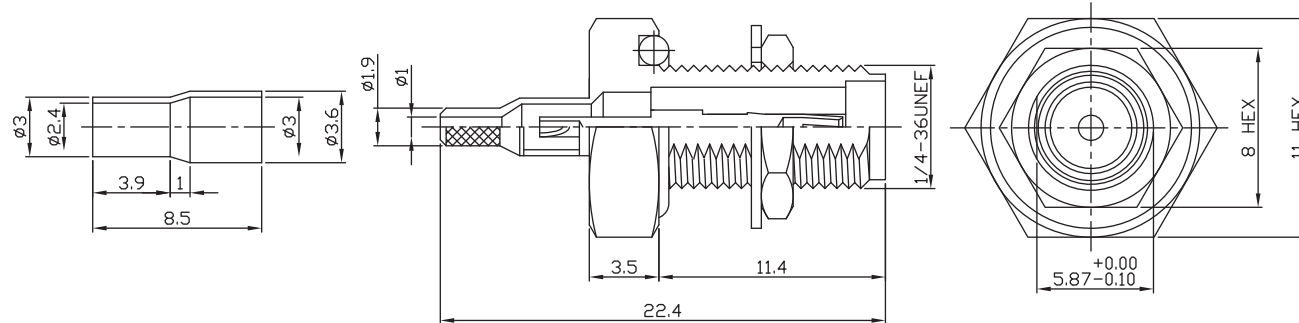
KCC197414

REV.

DATE

COMMENTS

INITIAL

Electrical Data**RoHS Compliant**Impedance 50 Ω 

Drawing not to scale. Dimensions for reference only

Units: mm

Konnect RF

WWW.KONNECTRF.COM
1-800-790-5887

PART NUMBER

KCC197414

DESCRIPTION

SMA Straight Female Jack, Bulkhead Rear Mount, Crimp

CAGE CODE

664U0

SIGNATURE

X

THIS DRAWING INCLUDING THE
DESIGNS IS THE PROPERTY OF
KONNECT RF AND IS NOT TO
BE USED FOR ANY PURPOSE
WITHOUT OUR APPROVAL.

Cable Types: RG-178U**Component**

Body
Center Contact
Insulator

Material

Brass
Brass
PTFE

Plating

Gold
Gold